



aerospace
climate control
electromechanical
filtration
fluid & gas handling
hydraulics
pneumatics
process control
sealing & shielding



Pneumatic Cylinders

Series P1D - Ø32 to Ø125 mm
According to ISO 15552

Catalogue PDE2570TCUK September 2014



ENGINEERING YOUR SUCCESS.



Important

Before attempting any external or internal work on the cylinder or any connected components, make sure the cylinder is vented and disconnect the air supply in order to ensure isolation of the air supply.



Note

All technical data in this catalogue are typical data only.
Air quality is essential for maximum cylinder service life (see ISO 8573).



WARNING

FAILURE OR IMPROPER SELECTION OR IMPROPER USE OF THE PRODUCTS AND/OR SYSTEMS DESCRIBED HEREIN OR RELATED ITEMS CAN CAUSE DEATH, PERSONAL INJURY AND PROPERTY DAMAGE.

This document and other information from Parker Hannifin Corporation, its subsidiaries and authorized distributors provide product and/or system options for further investigation by users having technical expertise. It is important that you analyze all aspects of your application and review the information concerning the product or system in the current product catalog. Due to the variety of operating conditions and applications for these products or systems, the user, through its own analysis and testing, is solely responsible for making the final selection of the products and systems and assuring that all performance, safety and warning requirements of the application are met. The products described herein, including without limitation, product features, specifications, designs, availability and pricing, are subject to change by Parker Hannifin Corporation and its subsidiaries at any time without notice.

SALE CONDITIONS

The items described in this document are available for sale by Parker Hannifin Corporation, its subsidiaries or its authorized distributors. Any sale contract entered into by Parker will be governed by the provisions stated in Parker's standard terms and conditions of sale (copy available upon request).

Contents	page
The P1D standard cylinders, ISO 15552	4
Design variants	5 & 8
P1D Standard	6 - 7 & 9
P1D Ultra Clean	10 - 12
P1D Pro Clean	10 - 13
P1D Tie-Rod	14
Design variants	15
Cylinder forces, double acting variants	16
Main data P1D	16
Standard stroke	17
Operating data	17
Working medium, air quality	17
Material specification	18
Guide for selecting suitable tubing	19 - 20
Dimensions	21 - 23
The simple and complete order code key	24
P1D with centre trunnion option.....	25
P1D with extended piston rod	26
P1D with piston rod in alternative materials	26
P1D through piston rod	27
P1D-T 3 and 4 positions Tie Rod cylinders	27
P1D-T Tandem Tie Rod cylinders	28
P1D for operation with a dry piston rod	28
P1D-V with valve built on	29 - 30
Dimensions	31
P1D-L with dynamic rod lock device	32 - 33
Dimensions	34
P1D-H with static rod lock device	35 - 36
Dimensions	37
Pneumatic circuits	38
P1D model order code key	39
Guidance modules	40 - 41
Dimensions	42 - 43
Mountings kits	44
Cylinder mountings kits	45 - 49
Piston mountings kits	50 - 51
Accessories	52
Sensors	53 - 55
Pneumatic sensors	56
Seal kits	57 - 58
Spare parts	59
Solenoids and plugs for P1D-V built on valve.....	60
P1DV Air Reservoirs	61
Compressed Air Quality.....	62



The P1D standard cylinders, ISO 15552

A complete cylinder range from the ground up, with major investment in research, material and technology, demands long experience and major resources. When we developed our P1D cylinder range, we started from scratch, but not really. Decades of research and learning about what our customers really need world-wide has given us a very stable foundation to start from.

P1D is a cylinder design of the highest possible quality, every detail has been thought through, without

making any compromises. It has a large number of innovations which could only be achieved by using the best possible materials and methods. The result is a complete family of ISO/VDMA/AFNOR cylinders, of which we are very proud.

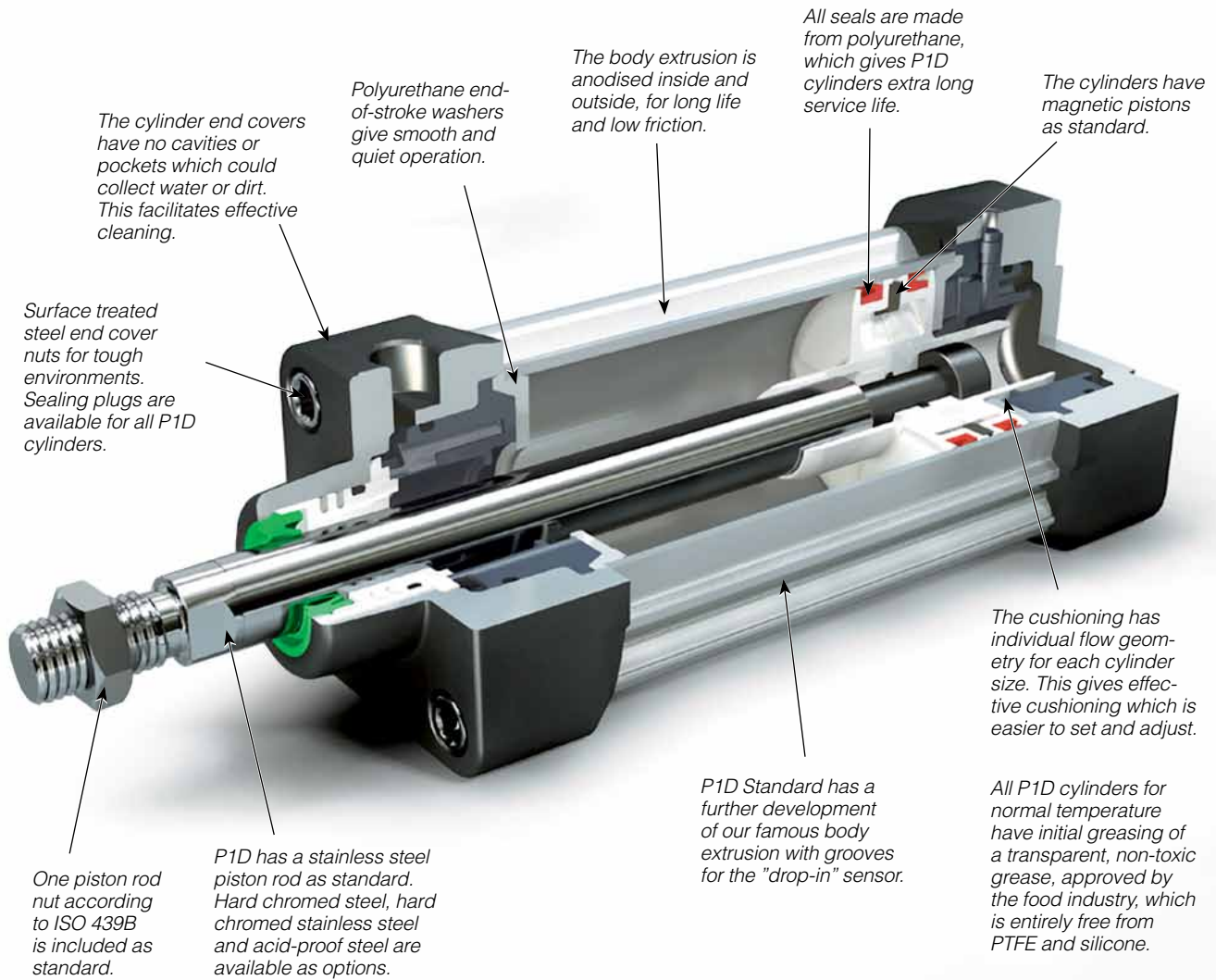
P1D is a high technology cylinder design for just about every conceivable application, both simple and highly complex.

Design variants

- P1D Standard** – This series is the premier in ISO pneumatic cylinders. With various piston rod materials, seal options and supported by a full range of ISO mountings the P1D-S series is suitable for wide range of any applications.
- P1D Ultra Clean** – This series offers an ultra clean external design of cylinders that are suitable for applications that require a clean profile. With particular design features for the food and packaging industries this product can also be used for applications vehicles, in sawmills and bag-filling industries where a clean design is important.
- P1D Pro Clean** – This series of clean design cylinders offers two T slots within one face of the tube allowing the possibility to add sensors. The position of the T slots can be specified on any single face using the order code key. These cylinders have a clean design but are intended for applications where sensors are required.
- P1D Tie rod** – This series range of tie rod cylinders is intended for use in a wide range of applications. Careful design and high quality manufacture throughout ensure long service life and optimum economy.
- P1D with valve built on** – P1D Standard can be ordered with a factory-fitted valve and piping. The valve series is the robust and compact Viking Xtreme series.
- P1D with piston rod locking** – P1D Standard is available in a version with piston rod locking, allowing the piston rod to be locked in any position and direction. The lock unit, of the air/spring actuated type, is integrated in the front end piece of the cylinder. The lock unit can be used for braking as well as locking. With no signal pressure, the full force of the lock is applied to the piston rod.
- P1D-X High and Low Temperature & metallic scraper** – For extreme conditions. These cylinders for high and low temperatures have materials and sealing systems specially designed for their particular temperature ranges. End covers and pistons are made entirely from metal, to give optimum function at high or low temperature in combination with seals made from specially tested materials and special grease.



P1D Series Pneumatic Cylinders



P1D Standard

The innovative P1D is a future-proof generation of ISO cylinders. The cylinders are double-acting, with a unique design of air cushioning. The light, stiff body extrusion has sensor grooves for simple and protected sensor installation.

Installation dimensions according to international standards

Complies with the ISO 6431, ISO 15552, VDMA 24562 and AFNOR installation dimension standards. For customer reassurance world-wide.

High technology design

The best materials, manufacturing methods and design of every detail have been carefully tested, to give the best possible product. The internal components are made of high strength plastics, for quiet operation and long service life. The aluminium end caps and the torsionally stiff aluminium body extrusion make the cylinder robust and suitable for a wide range of applications.

High quality

The P1D has been developed with quality in all phases – requirement specification, design, planning, purchasing, production, distribution and service. We have been certified under the ISO 9001 QA standard for the past ten years. Quality in all our products and services is our watchword.

Even more functions and variants

The P1D is available with all the usual optional designs, such as: Through piston rod, high and low temperature, hydraulic operation, extended piston rod etc.

A special variant is the unique self-lubricating HDPE scraper ring and piston rod seal, specially designed for operation with a completely dry piston rod (i.e. applications where the film of grease on the piston rod is regularly washed off).

P1D Series Pneumatic Cylinders

Complete accessory programme

P1D offers a complete ISO, VDMA and AFNOR compatible accessory programme, with a wide range of piston rod and cylinder mountings for both pivoted and fixed operation. Several of these types of mountings are available in stainless steel. The "drop-in" sensors are available with both reed and electronic operation, with a wide choice of connector types and cable lengths.



Mechanically protected sensor technology

The body extrusion has recessed sensor grooves on three sides of the cylinder. The sensors are of the "drop-in" type, and are quickly and easily installed in the T-groove from both sides. Both the cable and the sensor are protected in the groove. Choose a sensor with 3 or 10 m cable, 8 mm connector or the M12 connector.



Optimised cushioning

Thanks to the plastic inserts in the end covers, each cylinder bore has been given individual flow geometry. This provides optimised cushioning, which is quicker and easier to set and adjust.



Smooth, quiet operation and long service life

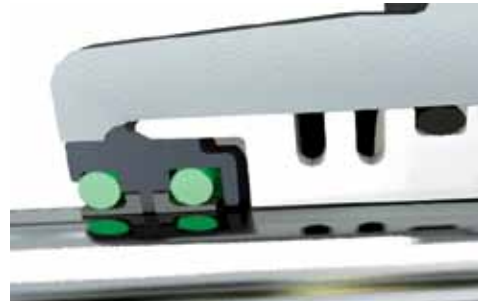
All seals and end-of-stroke washers are made from polyurethane (PUR), the bearings and piston are made from proven engineering plastics with excellent bearing properties and all cylinders are greased at the factory with a transparent, foodstuffs-approved grease. Altogether this gives the P1D very long service life and smooth, quiet operation.



Design variants

Dry piston rod, HPDE

In many applications, primarily in the foodstuffs industry, the cylinders are cleaned frequently. This means that the film of grease on the piston rod is washed off, which puts special demands on the materials and the design of the piston rod seal system (scraper ring and piston rod seal). A piston rod seal system specially designed for dry rod operation is available as options for this type of application, for all bores of P1D cylinders. The system has a specially designed L-shaped seal and the material is self-lubricating, high molecular weight plastics (HPDE) – the same system as in our previous P1C cylinders, with proven function.



Metal scraper ring, P1D-X Series

Standard scraper rings cannot be used in environments where the piston rod may be coated with resin, ice, cement, sugar crystals, dough, etc., primarily in timber handling, refrigerated/ chilled transport, cement industry, chemicals and food and drinks. Hard and dirty coatings damage the standard scraper rings and shorten their service life, introducing dirt into the cylinder. A scraper ring has been specially designed for applications of this kind, as an option for all diameters of P1D cylinders. The scraper ring, which requires a hard-chromium plated piston rod, has a stainless steel carrier, a brass outer scraper ring and a nitrile rubber inner scraper ring.



FPM scraper for high chemical resistance

For use in applications where chemicals may affect the scraper in the front end cover, an option with a scraper in FPM rubber for better chemical resistance must be used.



Low and high ambient temperature, P1D-X Series

For all bores, Ø32-125 mm, the P1D can be supplied in special high ambient temperature and low ambient temperature versions. The cylinders have seal systems, materials and grease for their particular temperature ranges. The high temperature version does not have magnetic piston (no function at high temperatures). The low temperature cylinders do have magnetic piston, but remember that most sensors are specified to – 25 °C (no function below this temperature). Ambient temperature ranges:

- Low temperature: -40 °C to +80 °C
- High temperature: -10 °C to +150 °C

Low pressure hydraulic version, P1D-X Series

The P1D in bores Ø32 - 125 mm can be supplied with special seals for operation with low pressure hydraulics up to 10 bar. Temperature range -20 °C to +80°C



P1D Series Pneumatic Cylinders

P1D Standard

The order numbers on this page refer to P1D Standard without sensors. The cylinders can be ordered with sensors, fittings, piston rod and cylinder mountings, speed controls etc. for efficient logistics. Please consult your local sales.



Cyl. bore mm	Stroke mm	Order code
32 Conn. G1/8	25	P1D-S032MS-0025
	40	P1D-S032MS-0040
	50	P1D-S032MS-0050
	80	P1D-S032MS-0080
	100	P1D-S032MS-0100
	125	P1D-S032MS-0125
	160	P1D-S032MS-0160
	200	P1D-S032MS-0200
	250	P1D-S032MS-0250
	320	P1D-S032MS-0320
40 Conn. G1/4	25	P1D-S040MS-0025
	40	P1D-S040MS-0040
	50	P1D-S040MS-0050
	80	P1D-S040MS-0080
	100	P1D-S040MS-0100
	125	P1D-S040MS-0125
	160	P1D-S040MS-0160
	200	P1D-S040MS-0200
	250	P1D-S040MS-0250
	320	P1D-S040MS-0320
50 Conn. G1/4	25	P1D-S050MS-0025
	40	P1D-S050MS-0040
	50	P1D-S050MS-0050
	80	P1D-S050MS-0080
	100	P1D-S050MS-0100
	125	P1D-S050MS-0125
	160	P1D-S050MS-0160
	200	P1D-S050MS-0200
	250	P1D-S050MS-0250
	320	P1D-S050MS-0320
63 Conn. G3/8	25	P1D-S063MS-0025
	40	P1D-S063MS-0040
	50	P1D-S063MS-0050
	80	P1D-S063MS-0080
	100	P1D-S063MS-0100
	125	P1D-S063MS-0125
	160	P1D-S063MS-0160
	200	P1D-S063MS-0200
	250	P1D-S063MS-0250
	320	P1D-S063MS-0320
400	P1D-S063MS-0400	
500	P1D-S063MS-0500	

Cyl. bore mm	Stroke mm	Order code
80 Conn. G3/8	25	P1D-S080MS-0025
	40	P1D-S080MS-0040
	50	P1D-S080MS-0050
	80	P1D-S080MS-0080
	100	P1D-S080MS-0100
	125	P1D-S080MS-0125
	160	P1D-S080MS-0160
	200	P1D-S080MS-0200
	250	P1D-S080MS-0250
	320	P1D-S080MS-0320
100 Conn. G1/2	25	P1D-S100MS-0025
	40	P1D-S100MS-0040
	50	P1D-S100MS-0050
	80	P1D-S100MS-0080
	100	P1D-S100MS-0100
	125	P1D-S100MS-0125
	160	P1D-S100MS-0160
	200	P1D-S100MS-0200
	250	P1D-S100MS-0250
	320	P1D-S100MS-0320
125 Conn. G1/2	25	P1D-S125MS-0025
	40	P1D-S125MS-0040
	50	P1D-S125MS-0050
	80	P1D-S125MS-0080
	100	P1D-S125MS-0100
	125	P1D-S125MS-0125
	160	P1D-S125MS-0160
	200	P1D-S125MS-0200
	250	P1D-S125MS-0250
	320	P1D-S125MS-0320
400	P1D-S125MS-0400	
500	P1D-S125MS-0500	

The cylinders are supplied complete with one zinc plated steel piston rod nut.



P1D Ultra Clean (non magnetic, without slots for sensors)

A clean external design of pneumatic cylinders is a request in more and more applications. It is always an advantage to be able to keep the cylinders clean. Within the food and packaging industries this is a clear demand. However, also in various applications on vehicles and within the sawmill and bag-filling industries a clean design is also important.

Food approved grease

The initial lubrication of the P1D-C cylinder range is made with our proven grease approved for use in the food industry. This edible grease is used for all our standard cylinders.

Smooth, quiet operation and long service life

All seals and end-of-stroke washers are made from polyurethane (PUR), the bearings and piston are made from proven engineering plastics with excellent bearing properties and the initial greasing at the factory with a transparent, foodstuffs-approved grease. Altogether this gives the P1D very long service life and gentle, quiet operation.

Optimised cushioning

Thanks to the positive plastic cushioning screws and inserts in the end covers, each cylinder bore has been given an individual flow geometry. This gives an optimised cushioning, which is quicker and easier to set and adjust.

P1D Pro Clean (magnetic, with 2 T slots)

The P1D is available in a Pro Clean version, based on the same high level technology. This future-proof cylinder is the perfect choice for the food, packaging and conveying applications.

Mechanically protected sensor technology

The body extrusion has recessed only two sensor grooves on one side of the cylinder. The position of the T slots could be defined in the order code key. The sensors are of the "drop-in" type, and are quickly and easily installed in the T-groove from the side. Both the cable and the sensor are protected in the groove. Choose a sensor with 3 or 10 m cable, 8 mm connector or the M12 connector.

"Drop-in" sensor

The P1D Pro Clean uses "drop-in" P1D sensors. The body extrusion has 2 recessed sensor grooves on one side of the cylinder. The sensors are of the "drop-in" type, and are quickly and easily installed in the T-grooves. Both the cable and the sensor are protected in the groove.

P1D Series Pneumatic Cylinders

EHEDG design principles

The innovative design of P1D-C follows the preferred principles for products used in the food industry developed by EHEDG (European Hygienic Engineering & Design Group) of which Parker Hannifin is an active member. The careful design of this ultra clean cylinder range eliminates spots or traps, where liquids, dirt etc. can stay - no recesses, grooves, pockets or any other "inbound" geometry.

All design elements are worked out in detail to have a protruding shape, i. e. a positive geometry. This facilitates cleaning and eliminates dirt traps. Examples of this are the convex shape body extrusion, end covers without any cavities or recesses and the protruding cushioning screws.

Patented clean design centre trunnions

The design of traditional centre trunnions is typically not clean. Pockets, cavities and slots accumulate dirt, liquids etc. which disqualify this type of trunnion for use in the food industry.

The P1D-C range offers a new solution for centre trunnion. This is an exceptionally clean design. The innovative design uses principles in line with EHEDG recommendations. All main dimensions comply with ISO 15552. The stainless steel pivots are countersunk into the body extrusion which seals off the pivots. The new centre trunnion allows you to have an articulated cylinder installation in applications with high hygienic requirements.

The clean design centre trunnion represents a new and important opportunity for applications in the food and packaging industries. The new centre trunnion is factory-fitted and is available for all P1D-C Ultra Clean cylinders in bore sizes 32-80 mm and up to stroke length 700 mm. Longer stroke length on request.

Dedicated plugs seal off end cover screw recesses

Normally 4 out of the 8 threads in the end cover screws are used for the installation. In order to seal off the threads not used, dedicated plugs are available. The collar of the head has a convex lip design and a rubber gasket is supplied with every plug. The plug is threaded into the end cover screw thread providing a high force and reliable sealing function. Assembled plugs seal against water intrusion as per IP67. These plugs are available as accessory in bags of 4.



The biggest (bore 125 mm) and the smallest (bore 32 mm) of the P1D-C cylinder series.



The stainless steel pivots fit flush to the surface of the body extrusion. The picture shows the patented centre trunnion for bore size 32 mm.



Dedicated threaded plugs in high strength plastics provides IP67 tightness. The external hexagon makes them easy to mount.

P1D Series Pneumatic Cylinders

P1D Ultra Clean without sensor function

This version is a permanently sealed P1D Ultra Clean with no facility for installing sensors. The cylinder has a very clean design and is intended for applications where no sensors are used.

The P1D without the sensor function can of course be combined with other equipment and functions.



1	2	3	4	5	6	7	8	9	10	11	12	13	14	15
P	1	D	-	C	0	4	0	H	S	N	0	2	5	0

Cylinder version	
C	Ultra Clean

P1D Ultra Clean without sensor function is defined by the letter C in position 5, N in position 11 and the 15-digit order code.

Without sensor function - HPDE scraper, stainless steel end covers screws

Cyl. bore mm	Stroke mm	Order code	Cyl. bore mm	Stroke mm	Order code	Cyl. bore mm	Stroke mm	Order code
32 Conn. G1/8	25	P1D-C032HSN0025	63 Conn. G3/8	25	P1D-C063HSN0025	125 Conn. G1/2	25	P1D-C125HSN0025
	40	P1D-C032HSN0040		40	P1D-C063HSN0040		40	P1D-C125HSN0040
	50	P1D-C032HSN0050		50	P1D-C063HSN0050		50	P1D-C125HSN0050
	80	P1D-C032HSN0080		80	P1D-C063HSN0080		80	P1D-C125HSN0080
	100	P1D-C032HSN0100		100	P1D-C063HSN0100		100	P1D-C125HSN0100
	125	P1D-C032HSN0125		125	P1D-C063HSN0125		125	P1D-C125HSN0125
	160	P1D-C032HSN0160		160	P1D-C063HSN0160		160	P1D-C125HSN0160
	200	P1D-C032HSN0200		200	P1D-C063HSN0200		200	P1D-C125HSN0200
	250	P1D-C032HSN0250		250	P1D-C063HSN0250		250	P1D-C125HSN0250
	320	P1D-C032HSN0320		320	P1D-C063HSN0320		320	P1D-C125HSN0320
400	P1D-C032HSN0400	400	P1D-C063HSN0400	400	P1D-C125HSN0400			
500	P1D-C032HSN0500	500	P1D-C063HSN0500	500	P1D-C125HSN0500			
40 Conn. G1/4	25	P1D-C040HSN0025	80 Conn. G3/8	25	P1D-C080HSN0025	The cylinders are supplied complete with one stainless steel piston rod nut as standard.		
	40	P1D-C040HSN0040		40	P1D-C080HSN0040			
	50	P1D-C040HSN0050		50	P1D-C080HSN0050			
	80	P1D-C040HSN0080		80	P1D-C080HSN0080			
	100	P1D-C040HSN0100		100	P1D-C080HSN0100			
	125	P1D-C040HSN0125		125	P1D-C080HSN0125			
	160	P1D-C040HSN0160		160	P1D-C080HSN0160			
	200	P1D-C040HSN0200		200	P1D-C080HSN0200			
	250	P1D-C040HSN0250		250	P1D-C080HSN0250			
	320	P1D-C040HSN0320		320	P1D-C080HSN0320			
400	P1D-C040HSN0400	400	P1D-C080HSN0400					
500	P1D-C040HSN0500	500	P1D-C080HSN0500					
50 Conn. G1/4	25	P1D-C050HSN0025	100 Conn. G1/2	25	P1D-C100HSN0025	<div style="border: 1px solid black; padding: 5px;"> Sealing plugs for end cover screws <div style="text-align: center; margin: 5px 0;"> </div> See page 52 </div>		
	40	P1D-C050HSN0040		40	P1D-C100HSN0040			
	50	P1D-C050HSN0050		50	P1D-C100HSN0050			
	80	P1D-C050HSN0080		80	P1D-C100HSN0080			
	100	P1D-C050HSN0100		100	P1D-C100HSN0100			
	125	P1D-C050HSN0125		125	P1D-C100HSN0125			
	160	P1D-C050HSN0160		160	P1D-C100HSN0160			
	200	P1D-C050HSN0200		200	P1D-C100HSN0200			
	250	P1D-C050HSN0250		250	P1D-C100HSN0250			
	320	P1D-C050HSN0320		320	P1D-C100HSN0320			
400	P1D-C050HSN0400	400	P1D-C100HSN0400					
500	P1D-C050HSN0500	500	P1D-C100HSN0500					

P1D Series Pneumatic Cylinders

P1D Pro Clean with sensor function

This version is a P1D Pro Clean design with 2 T slots on one face of the tube giving then the possibility to add sensors. The cylinder has a clean design and is intended for applications where sensors still need to be used.

The P1D with the sensor function can of course be combined with other equipment and functions.



1	2	3	4	5	6	7	8	9	10	11	12	13	14	15
P	1	D	-	C	0	4	0	W	S	T*	0	2	5	0

Cylinder version

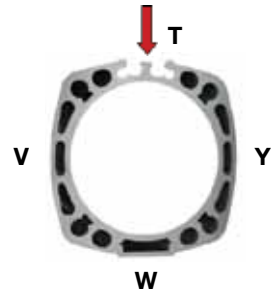
C	Pro Clean
----------	-----------

P1D Pro Clean with sensor function is defined by the letter C in position 5, and in position 11 by the position of the 2 T slots.

* T on the top, - Y on the right, W on the bottom, V on the left side and the 15-digit order code.

Note: cylinder is showed piston rod in the front and air ports on the top to determine face position.

T slots position for ordering



With 2 T slots on the top - FPM scraper, stainless steel cushioning screws

Cyl. bore mm	Stroke mm	Order code
32 Conn. G1/8	25	P1D-C032WST0025
	40	P1D-C032WST0040
	50	P1D-C032WST0050
	80	P1D-C032WST0080
	100	P1D-C032WST0100
	125	P1D-C032WST0125
	160	P1D-C032WST0160
	200	P1D-C032WST0200
	250	P1D-C032WST0250
	320	P1D-C032WST0320
400	P1D-C032WST0400	
500	P1D-C032WST0500	
40 Conn. G1/4	25	P1D-C040WST0025
	40	P1D-C040WST0040
	50	P1D-C040WST0050
	80	P1D-C040WST0080
	100	P1D-C040WST0100
	125	P1D-C040WST0125
	160	P1D-C040WST0160
	200	P1D-C040WST0200
	250	P1D-C040WST0250
	320	P1D-C040WST0320
400	P1D-C040WST0400	
500	P1D-C040WST0500	
50 Conn. G1/4	25	P1D-C050WST0025
	40	P1D-C050WST0040
	50	P1D-C050WST0050
	80	P1D-C050WST0080
	100	P1D-C050WST0100
	125	P1D-C050WST0125
	160	P1D-C050WST0160
	200	P1D-C050WST0200
	250	P1D-C050WST0250
	320	P1D-C050WST0320
400	P1D-C050WST0400	
500	P1D-C050WST0500	

Cyl. bore mm	Stroke mm	Order code
63 Conn. G3/8	25	P1D-C063WST0025
	40	P1D-C063WST0040
	50	P1D-C063WST0050
	80	P1D-C063WST0080
	100	P1D-C063WST0100
	125	P1D-C063WST0125
	160	P1D-C063WST0160
	200	P1D-C063WST0200
	250	P1D-C063WST0250
	320	P1D-C063WST0320
400	P1D-C063WST0400	
500	P1D-C063WST0500	
80 Conn. G3/8	25	P1D-C080WST0025
	40	P1D-C080WST0040
	50	P1D-C080WST0050
	80	P1D-C080WST0080
	100	P1D-C080WST0100
	125	P1D-C080WST0125
	160	P1D-C080WST0160
	200	P1D-C080WST0200
	250	P1D-C080WST0250
	320	P1D-C080WST0320
400	P1D-C080WST0400	
500	P1D-C080WST0500	
100 Conn. G1/2	25	P1D-C100WST0025
	40	P1D-C100WST0040
	50	P1D-C100WST0050
	80	P1D-C100WST0080
	100	P1D-C100WST0100
	125	P1D-C100WST0125
	160	P1D-C100WST0160
	200	P1D-C100WST0200
	250	P1D-C100WST0250
	320	P1D-C100WST0320
400	P1D-C100WST0400	
500	P1D-C100WST0500	

Cyl. bore mm	Stroke mm	Order code
125 Conn. G1/2	25	P1D-C125WST0025
	40	P1D-C125WST0040
	50	P1D-C125WST0050
	80	P1D-C125WST0080
	100	P1D-C125WST0100
	125	P1D-C125WST0125
	160	P1D-C125WST0160
	200	P1D-C125WST0200
	250	P1D-C125WST0250
	320	P1D-C125WST0320
400	P1D-C125WST0400	
500	P1D-C125WST0500	

The cylinders are supplied complete with one stainless steel piston rod nut as standard.

Sealing plugs for end cover screws



See page 52

P1D Series Pneumatic Cylinders

P1D Tie Rod

The P1D is available in a tie-rod version, based on the same high level technology. This future-proof cylinder is the perfect choice wherever a tie-rod cylinder is needed. Mounting dimensions fully in accordance with ISO 15552 (ISO 6431 and CETOP RP52P) greatly simplifies installation and world-wide interchangeability.



Cyl. bore mm	Stroke mm	Order code
32 Conn. G1/8	25	P1D-T032MS-0025
	40	P1D-T032MS-0040
	50	P1D-T032MS-0050
	80	P1D-T032MS-0080
	100	P1D-T032MS-0100
	125	P1D-T032MS-0125
	160	P1D-T032MS-0160
	200	P1D-T032MS-0200
	250	P1D-T032MS-0250
	320	P1D-T032MS-0320
400	P1D-T032MS-0400	
500	P1D-T032MS-0500	
40 Conn. G1/4	25	P1D-T040MS-0025
	40	P1D-T040MS-0040
	50	P1D-T040MS-0050
	80	P1D-T040MS-0080
	100	P1D-T040MS-0100
	125	P1D-T040MS-0125
	160	P1D-T040MS-0160
	200	P1D-T040MS-0200
	250	P1D-T040MS-0250
	320	P1D-T040MS-0320
400	P1D-T040MS-0400	
500	P1D-T040MS-0500	
50 Conn. G1/4	25	P1D-T050MS-0025
	40	P1D-T050MS-0040
	50	P1D-T050MS-0050
	80	P1D-T050MS-0080
	100	P1D-T050MS-0100
	125	P1D-T050MS-0125
	160	P1D-T050MS-0160
	200	P1D-T050MS-0200
	250	P1D-T050MS-0250
	320	P1D-T050MS-0320
400	P1D-T050MS-0400	
500	P1D-T050MS-0500	
63 Conn. G3/8	25	P1D-T063MS-0025
	40	P1D-T063MS-0040
	50	P1D-T063MS-0050
	80	P1D-T063MS-0080
	100	P1D-T063MS-0100
	125	P1D-T063MS-0125
	160	P1D-T063MS-0160
	200	P1D-T063MS-0200
	250	P1D-T063MS-0250
	320	P1D-T063MS-0320
400	P1D-T063MS-0400	
500	P1D-T063MS-0500	

Cyl. bore mm	Stroke mm	Order code
80 Conn. G3/8	25	P1D-T080MS-0025
	40	P1D-T080MS-0040
	50	P1D-T080MS-0050
	80	P1D-T080MS-0080
	100	P1D-T080MS-0100
	125	P1D-T080MS-0125
	160	P1D-T080MS-0160
	200	P1D-T080MS-0200
	250	P1D-T080MS-0250
	320	P1D-T080MS-0320
400	P1D-T080MS-0400	
500	P1D-T080MS-0500	
100 Conn. G1/2	25	P1D-T100MS-0025
	40	P1D-T100MS-0040
	50	P1D-T100MS-0050
	80	P1D-T100MS-0080
	100	P1D-T100MS-0100
	125	P1D-T100MS-0125
	160	P1D-T100MS-0160
	200	P1D-T100MS-0200
	250	P1D-T100MS-0250
	320	P1D-T100MS-0320
400	P1D-T100MS-0400	
500	P1D-T100MS-0500	
125 Conn. G1/2	25	P1D-T125MS-0025
	40	P1D-T125MS-0040
	50	P1D-T125MS-0050
	80	P1D-T125MS-0080
	100	P1D-T125MS-0100
	125	P1D-T125MS-0125
	160	P1D-T125MS-0160
	200	P1D-T125MS-0200
	250	P1D-T125MS-0250
	320	P1D-T125MS-0320
400	P1D-T125MS-0400	
500	P1D-T125MS-0500	

The cylinders are supplied complete with one zinc plated steel piston rod nut.

Design variants

3 and 4 position cylinders

This type of cylinder function consists of two cylinders installed back to back. Two cylinders with the same stroke give a 3 position cylinder with a symmetrical centre position, whereas different strokes give a 4 position cylinder where the two central positions can be calculated from the different stroke lengths. This type of unit is available as factory-fitted P1D tie-rod cylinders (P1D-T) in all bores, Ø32-125 mm. Other P1D cylinders can be flange mounted back-to-back with a special mounting.



Tandem version

The P1D is also available as a tandem cylinder, i.e. two cylinders connected in series. This cylinder unit has almost twice the force, which is a great advantage in restricted spaces. Tandem cylinders are available as tie-rod cylinders, P1D-T, in all bores Ø32-125 mm.



Alternative piston rod materials

All P1D cylinders in all bores, Ø32-125 mm, can be ordered with the following piston rod materials:

- Steel, hard chromed
- Stainless steel, roller polished (standard)
- Acid-proof steel, roller polished
- Stainless steel, hard chromed



Through piston rod

All P1D cylinders in all bores, Ø32-125 mm, are available with a through rod. Cylinders with a through rod can take higher side forces thanks to the double support for the piston rod. In addition, this design makes it easier to install external position sensors.



P1D Series Pneumatic Cylinders

Cylinder forces, double acting variants

Cyl. bore/ pist. rod mm	Stroke	Pistonarea cm ²	Max theoretical force in N (bar)									
			1,0	2,0	3,0	4,0	5,0	6,0	7,0	8,0	9,0	10,0
32/12	+	8,0	80	161	241	322	402	483	563	643	724	804
	-	6,9	69	138	207	276	346	415	484	553	622	691
40/16	+	12,6	126	251	377	503	628	754	880	1005	1131	1257
	-	10,6	106	212	318	424	530	636	742	848	954	1060
50/20	+	19,6	196	393	589	785	982	1178	1374	1571	1767	1963
	-	16,5	165	330	495	660	825	990	1155	1319	1484	1649
63/20	+	31,2	312	623	935	1247	1559	1870	2182	2494	2806	3117
	-	28,0	280	561	841	1121	1402	1682	1962	2242	2523	2803
80/25	+	50,3	503	1005	1508	2011	2513	3016	3519	4021	4524	5027
	-	45,4	454	907	1361	1814	2268	2721	3175	3629	4082	4536
100/25	+	78,5	785	1571	2356	3142	3927	4712	5498	6283	7069	7854
	-	73,6	736	1473	2209	2945	3682	4418	5154	5890	6627	7363
125/32	+	122,7	1227	2454	3682	4909	6136	7363	8590	9817	11045	12272
	-	114,7	1147	2294	3440	4587	5734	6881	8027	9174	10321	11468

+ = Outward stroke
- = Return stroke

Note!

Select a theoretical force 50-100% larger than the force required

Main data: P1D

Cylinder designation	Cylinder		Piston rod			Cushioning length mm	Air consumption ²⁾ litre	Connection thread
	bore mm	area cm ²	dia. mm	area cm ²	thread			
P1D-•032•-XXXX ¹⁾	32	8,0	12	1,1	M10x1,25	17	0,105	G1/8
P1D-•040•-XXXX ¹⁾	40	12,6	16	2,0	M12x1,25	19	0,162	G1/4
P1D-•050•-XXXX ¹⁾	50	19,6	20	3,1	M16x1,5	20	0,253	G1/4
P1D-•063•-XXXX ¹⁾	63	31,2	20	3,1	M16x1,5	23	0,414	G3/8
P1D-•080•-XXXX ¹⁾	80	50,3	25	4,9	M20x1,5	23	0,669	G3/8
P1D-•100•-XXXX ¹⁾	100	78,5	25	4,9	M20x1,5	27	1,043	G1/2
P1D-•125•-XXXX ¹⁾	125	122,7	32	8,0	M27x2	30	1,662	G1/2

Total mass including moving parts

Cylinder designation	Total mass (kg) at 0 mm stroke			Supplement mass (kg) for rod locking All variants	Total mass (kg) Supplement per 10 mm stroke		
	Standard	Tie-Rod	Ultra/Pro Clean		Standard	Tie-Rod	Ultra/Pro Clean
P1D-•032•-X	0,55	0,54	0,60	0,31	0,023	0,022	0,047
P1D-•040•-X	0,80	0,79	0,88	0,44	0,033	0,030	0,063
P1D-•050•-X	1,20	1,20	1,32	0,61	0,048	0,048	0,094
P1D-•063•-X	1,73	1,73	1,86	1,25	0,051	0,051	0,101
P1D-•080•-X	2,45	2,47	2,63	2,45	0,075	0,079	0,142
P1D-•100•-X	4,00	4,00	4,22	3,72	0,084	0,084	0,168
P1D-•125•-X	6,87	6,73	7,01	6,07	0,138	0,129	0,248

Mass moving parts only (for cushioning calculation)

Cylinder designation	Mass moving parts(kg) at 0 mm stroke	
	All variants	Supplement per 10 mm stroke All variants
P1D-•032•-X	0,13	0,009
P1D-•040•-X	0,24	0,016
P1D-•050•-X	0,42	0,025
P1D-•063•-X	0,50	0,025
P1D-•080•-X	0,90	0,039
P1D-•100•-X	1,10	0,039
P1D-•125•-X	2,34	0,063

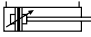
1) Stroke

2) Free air consumption per 10 mm stroke for a double stroke at 6 bar

P1D Series Pneumatic Cylinders

Standard stroke

Standard strokes for all P1D cylinders comply with ISO 4393. (* 40 is not an ISO standard stroke)
 Special strokes up to 2800 mm.

Order no XXXX = Stroke	Cylinder bore (mm)	● = Standard stroke (mm)														■ = Stroke to special order	
		25	40	50	80	100	125	160	200	250	320	400	500	600	700	800	2800
Double acting Profile cylinder																	
P1D-S032MS-XXXX	32	●	●	●	●	●	●	●	●	●	●	●	●	●	●	●	///
P1D-S040MS-XXXX	40	●	●	●	●	●	●	●	●	●	●	●	●	●	●	●	///
P1D-S050MS-XXXX	50	●	●	●	●	●	●	●	●	●	●	●	●	●	●	●	///
P1D-S063MS-XXXX	63	●	●	●	●	●	●	●	●	●	●	●	●	●	●	●	///
P1D-S080MS-XXXX	80	●	●	●	●	●	●	●	●	●	●	●	●	●	●	●	///
P1D-S100MS-XXXX	100	●	●	●	●	●	●	●	●	●	●	●	●	●	●	●	///
P1D-S125MS-XXXX	125	●	●	●	●	●	●	●	●	●	●	●	●	●	●	●	///

Operation data

Working pressure	Max 10 bar
Working temperature	min max
Standard	-20 °C +80 °C

Greased for life, does not normally need additional lubrication. If extra lubrication is given, this must always be continued.

Bores and strokes

P1D	32 - 125 mm
Standard strokes	25 - 500 mm according to ISO 4393
Max stroke	2800 mm

Working medium, air quality


Working medium Dry, filtered compressed air to ISO 8573-1 class 3.4.3.

Recommended air quality for cylinders

For best possible service life and trouble-free operation, ISO 8573-1 quality class 3.4.3 should be used. This means 5 µm filter (standard filter) dew point +3 °C for indoor operation (a lower dew point should be selected for outdoor operation) and oil concentration 1.0 mg oil/m³, which is what a standard compressor with a standard filter gives.

ISO 8573-1 quality classes

Quality class	Pollution		Water max. press. dew point (°C)	Oil max concentration (mg/m ³)
	particle size (µm)	max concentration (mg/m ³)		
1	0,1	0,1	-70	0,01
2	1	1	-40	0,1
3	5	5	-20	1,0
4	15	8	+3	5,0
5	40	10	+7	25
6	-	-	+10	-



Important!

If the cylinder is used in applications with significant lateral loads on the piston rod, an external guide must be used to achieve maximum service life.

Material specification

Standard design

Body extrusion	Natural colour, anodised aluminium
End cover	Black anodised aluminium
End cover inserts	POM
End cover nuts/screws	Zinc plated steel 8.8
Piston rod nut	Zinc plated steel
Piston rod	Stainless steel, X 10 CrNiS 18 9
Scraper ring	PUR
Piston rod bearing	POM
Piston	POM
Piston bearing	POM
Magnetic ring	Plastic bound magnetic material
Piston bolt	Zinc plated steel
Piston seal	PUR
O-rings	Nitrile rubber, NBR
End-of-stroke washers	PUR
Cushioning seals	PUR
Cushioning screws	LCP

P1D Tie-Rod

Tie-rods Stainless steel, X 10 CrNiS 18 9

Design variants

Cylinders for dry rod operation

Seals/scraper ring FPM/HPDE

Option

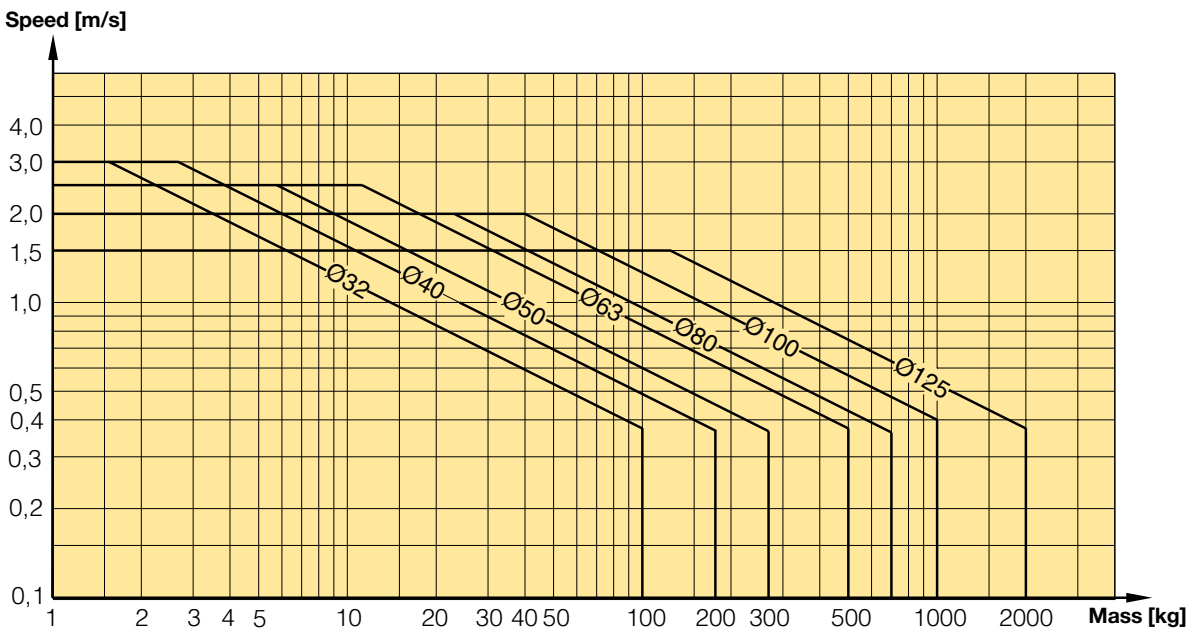
Piston rod material
 Hard-chromium plated steel, Fe 490-2 FN
 Acid-proof steel, X 5 CrNiMo 17 13 3
 Hard-chromium plated stainless steel,
 X 10 CrNiS 18 9

Cushioning characteristics

The diagram below is used for dimensioning of cylinders related to the cushioning capacity. The maximum cushioning capacity shown in the diagram assumes the following:

- Low load, i.e. low pressure drop across the piston
- Equilibrium speed
- Correctly adjusted cushioning screw
- 6 bar at cylinder port

The load is the sum of internal and external friction, plus any gravitational forces. At high relative load (pressure drop exceeding 1 bar), we recommend that for any given speed, the mass should be reduced by a factor of 2.5, or for a given mass, the speed should be reduced by a factor of 1.5. This is in relation to the maximum performance given in the diagram



Guide for selecting suitable tubing

The selection of the correct size of tubing is often based on experience, with no great thought to optimizing energy efficiency and cylinder velocity. This is usually acceptable, but making a rough calculation can result in worthwhile economic gains.

The following is the basic principle:

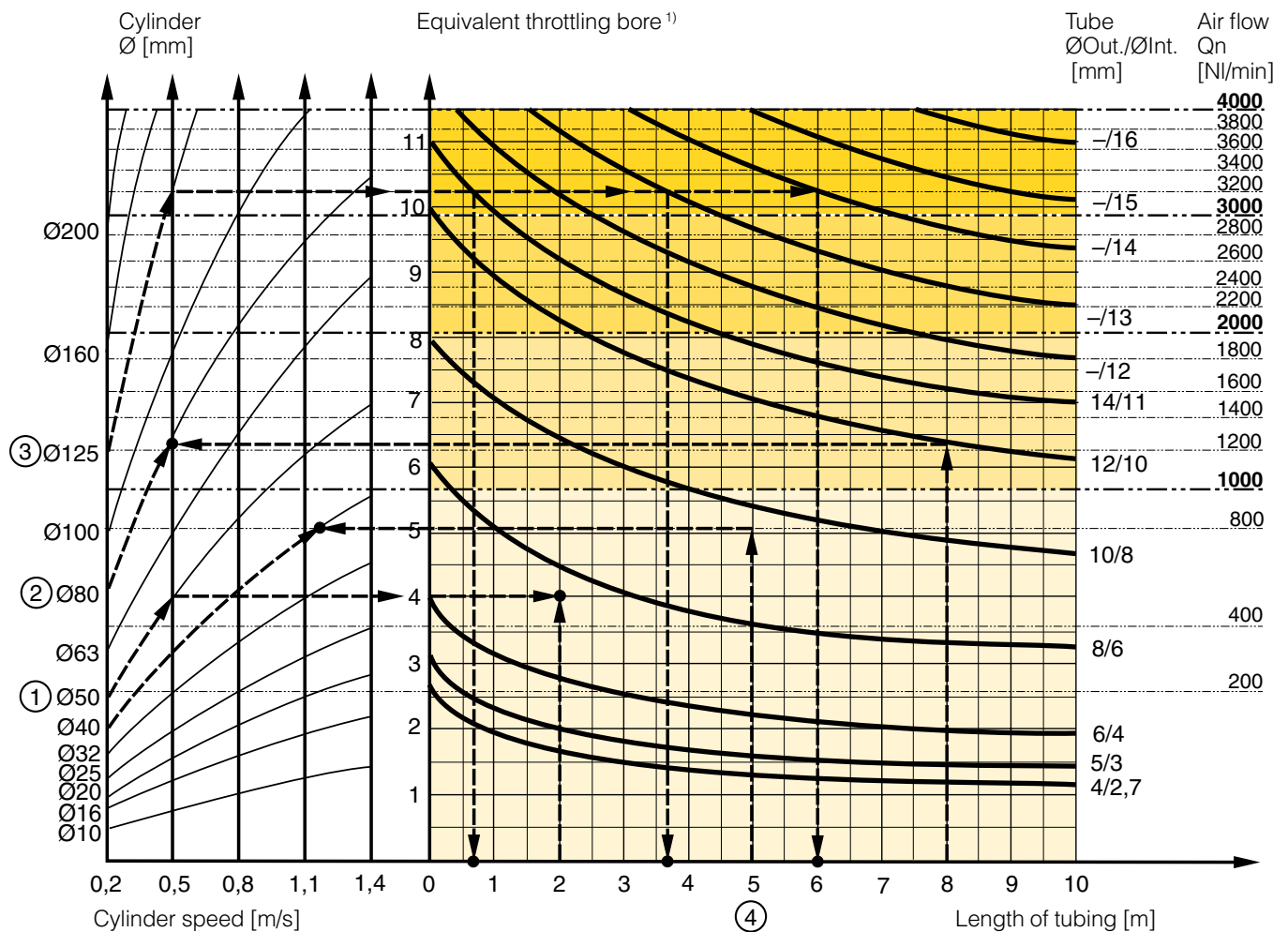
1. The primary line to the working valve could be over sized (this does not cause any extra air consumption and consequently does not create any extra costs in operation).
2. The tubes between the valve and the cylinder should, however, be optimized according to the principle that an insufficient bore throttles the flow and thus limits the cylinder speed, while an oversized pipe creates a dead volume which increases the air consumption and filling time.

The chart below is intended to help when selecting the correct size of tube to use between the valve and the cylinder.

The following prerequisites apply:

The cylinder load should be about 50% of the theoretical force (= normal load). A lower load gives a higher velocity and vice versa. The tube size is selected as a function of the cylinder bore, the desired cylinder velocity and the tube length between the valve and the cylinder.

If you want to use the capacity of the valve to its maximum, and obtain maximum speed, the tubing should be chosen so that they at least correspond with the equivalent restriction diameter (see description below), so that the tubing does not restrict the total flow. This means that a short tubing must have at least the equivalent restriction diameter. If the tubing is longer, choose it from the table below. Straight fittings should be chosen for highest flow rates. (Elbow and banjo fittings cause restriction.)



- 1) The "equivalent throttling bore" is a long throttle (for example a tube) or a series of throttles (for example, through a valve) converted to a short throttle which gives a corresponding flow rate. This should not be confused with the "orifice" which is sometimes specified for valves. The value for the orifice does not normally take account of the fact that the valve contains a number of throttles.
- 2) Qn is a measure of the valve flow capacity, with flow measured in litre per minute (l/min) at 6 bar(e) supply pressure and 1 bar pressure drop across the valve.

P1D Series Pneumatic Cylinders

Example ① : Which tube diameter should be used?

A 50 mm bore cylinder is to be operated at 0.5 m/s. The tube length between the valve and cylinder is 2 m. In the diagram we follow the line from 50 mm bore to 0.5 m/s and get an “equivalent throttling bore” of approximately 4 mm. We continue out to the right in the chart and intersect the line for a 2 m tube between the curves for 4 mm (6/4 tube) and 6 mm (8/6 tube). This means that a 6/4 tube throttles the velocity somewhat, while an 8/6 tube is a little too large. We select the 8/6 tube to obtain full cylinder velocity.

Example ②: What cylinder velocity will be obtained?

A 80 mm bore cylinder will be used, connected by 8 m 12/10 tube to a valve with Qn 1200 NI/min. What cylinder velocity will we get? We refer to the diagram and follow the line from 8 mm tube length up to the curve for 12/10 tube. From there, we go horizontally to the curve for the Ø80 cylinder. We find that the velocity will be about 0.5 m/s.

Example ③: What is the minimum inner diameter and maximum length of tube?

For an application a 125 mm bore cylinder will be used. Maximum velocity of piston rod is 0.5 m/s. The cylinder will be controlled by a valve with Qn 3200 NI/min. What diameter of tube can be used and what is maximum length of tube. We refer to the diagram. We start at the left side of the diagram cylinder Ø125. We follow the line until the intersection with the velocity line of 0.5 m/s. From here we draw a horizontal line in the diagram. This line shows us we need an equivalent throttling bore of approximately 10 mm. Following this line horizontally we cross a few intersections. These intersections shows us the minimum inner diameter (rightside diagram) in combination with the maximum length of tube (bottomside diagram).

For example:

Intersection one: When a tube (14/11) will be used, the maximum length of tube is 0.7 meter.

Intersection two: When a tube (—/13) will be used, the maximum length of tube is 3.7 meter.

Intersection three: When a tube (—/14) will be used, the maximum length of tube is 6 meter.

Example ④ : Determining tube size and cylinder velocity with a particular cylinder and valve?

For an application using a 40 mm bore cylinder with a valve with Qn=800 NI/min. The distance between the cylinder and valve has been set to 5 m.

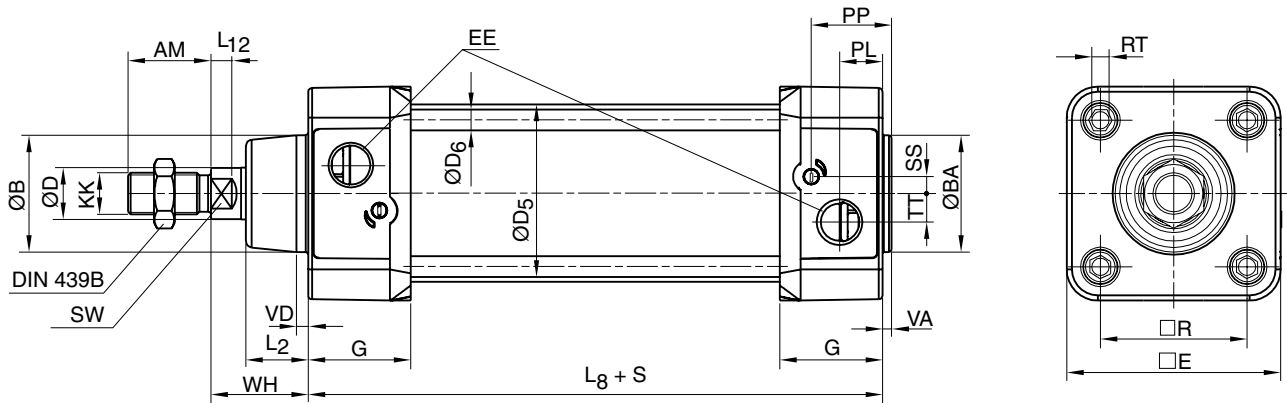
Tube dimension: What tube bore should be selected to obtain the maximum cylinder velocity? Start at pipe length 5 m, follow the line up to the intersection with 800 NI/min. Select the next largest tube diameter, in this case Ø10/8 mm.

Cylinder velocity: What maximum cylinder velocity will be obtained? Follow the line for 800 NI/min to the left until it intersects with the line for the Ø40 mm cylinder. In this example, the speed is just above 1.1 m/s.

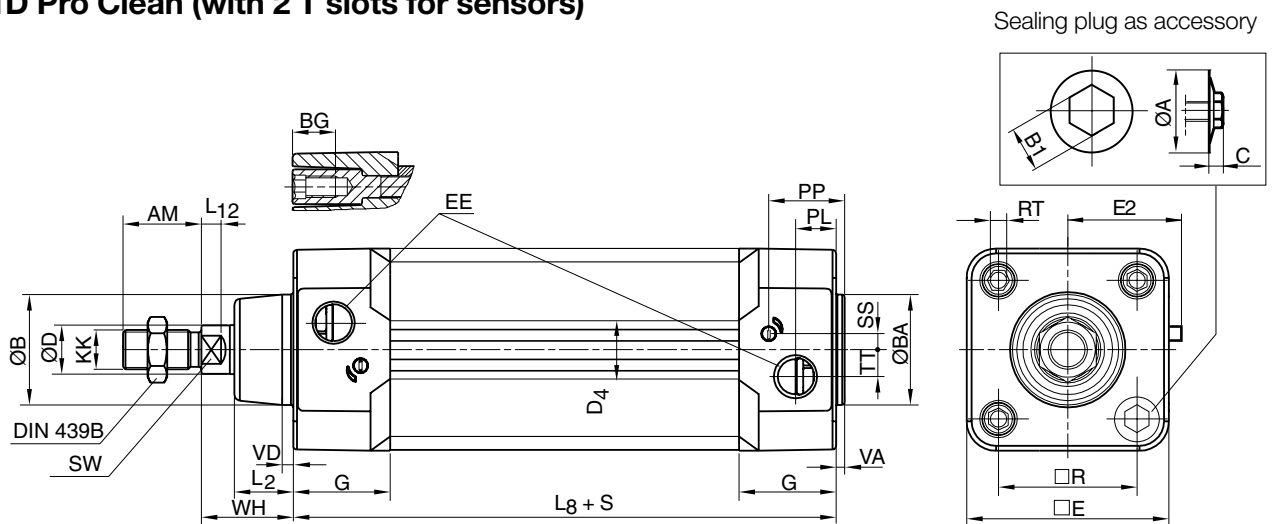
Valve series with respective flows in NI/minute

Valve series	Qn in NI/Min
Interface PS1	120
Moduflex Size 1 - Double 4/2 single solenoid	165
Adex A05	173
Isys Micro - Single 5/3 APB	228
Moduflex Size 1 - Single or Double 3/2	235
Isys Micro - Double 3/2	276
Isys Micro - Single 5/2	282
Moduflex Size 1 - Single 4/2	310
ISOMAX DX02	378
ISYS ISO HB	390
Moduflex Size 2 - Single or Double 3/2	440
PVL-B stackable inline valve	540
Adex A12	560
ISOMAX DX01	588
Viking Xtrem P2LAX - G1/8"	660
Moduflex Size 2 - Single 4/2	800
ISYS ISO HA	918
ISOMAX DX1 & DX Rail	1032
PVL-C stackable inline valve	1100
ISYS ISO H1	1248
Viking Xtrem P2LBX - G1/4"	1290
ISOMAX DX2 & DX Rail	2298
Viking Xtrem P2LCX - G3/8"	2460
ISYS ISO H2	2520
Viking Xtrem P2LDX - G1/2"	2658
ISOMAX DX3 & DX Rail	3840
ISYS ISO H3	5022

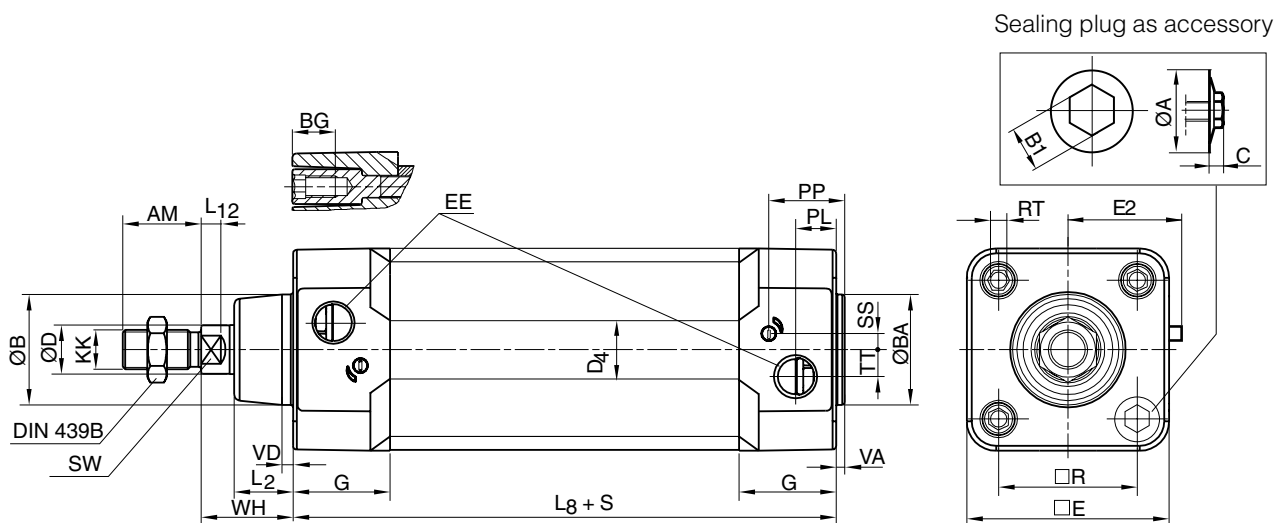
P1D Tie-Rod



P1D Pro Clean (with 2 T slots for sensors)



P1D Ultra Clean (without sensor function)



3 and 4 position cylinders

This type of cylinder function consists of two cylinders installed back to back. Two cylinders with the same stroke give a 3 position cylinder with a symmetrical centre position, whereas different strokes give a 4 position cylinder where the two central positions can be calculated from the different stroke lengths.

3 and 4 position cylinders can be ordered in two ways.



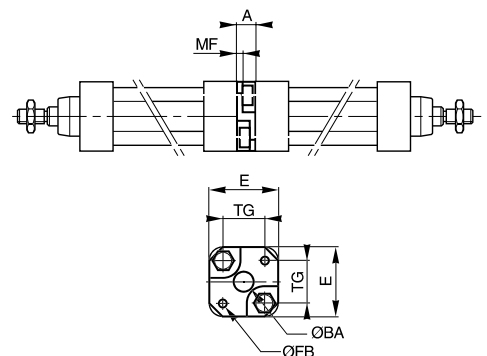
Factory-fitted P1D-T

Tie-rod P1D cylinders are completed at the factory and are joined together as one unit by special tie-rods, see position 9 in the order key.

Installation kit for all other P1D series

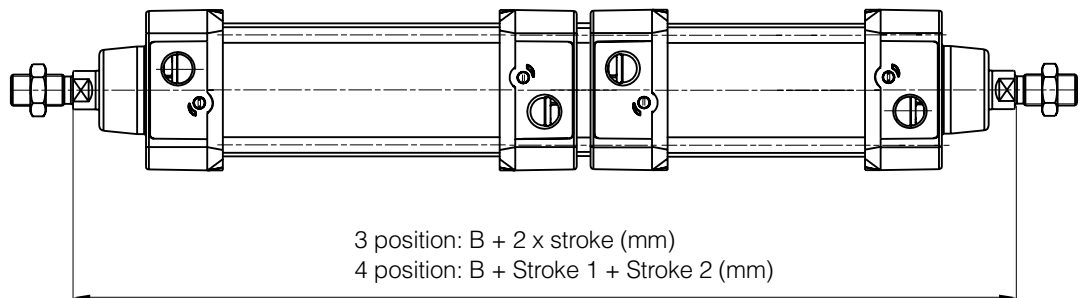
There is an installation kit for cylinder bores 32 – 100 mm which makes it possible to join any two P1D cylinders together at any time, to make a 3 or 4 position cylinders.

Cyl. bore mm	E mm	TG mm	ØFB mm	MF mm	A mm	ØBA mm	Weight Kg	Order code	B, P1D with mounting kit in between mm
32	50	32,5	6,5	5	16	30	0,060	P1E-6KB0	256
40	60	38,0	6,5	5	16	35	0,078	P1E-6LB0	286
50	66	46,5	8,5	6	20	40	0,162	P1E-6MB0	306
63	80	56,5	8,5	6	20	45	0,194	P1E-6NB0	336
80	100	72,0	10,5	8	25	45	0,450	P1E-6PB0	373
100	118	89,0	10,5	8	25	55	0,672	P1E-6QB0	403



Cylinder bore. mm	B, P1D-T mm
32	247
40	277
50	293
63	323
80	355
100	385
125	461

S=Stroke



Tandem version

The P1D is also available as a tandem cylinder, i.e. two cylinders connected in series. This cylinder unit has almost twice the force, which is a great advantage in restricted spaces. Tandem cylinders are available as tie-rod cylinders, P1D-T, in all bores Ø32-125 mm.

P1D Series Pneumatic Cylinders

The simple and complete order code key

The P1D order key is based on the same principles as its predecessors, the P1C and P1E. This makes it easy to identify and order all common cylinder versions. The change-over from our previous cylinder ranges to the equivalent P1D cylinders is logical and simple. As far as possible, the same symbols as for P1C and P1E have been retained for the same functions. Most of the common cylinder types in the P1D family have a 15-digit order number.

Many of our complete working units (with factory-fitted cylinder mountings, sensors etc.) are defined by a 20-digit order number. There is only one single order key for P1D, which thus contains the 15-digit order numbers for the most common cylinder types and 20-digit order numbers for cylinders with more functions. Remember that there are always 15 or 20 positions in the order number – never any figure in between.



1	2	3	4	5	6	7	8	9	10	11	12	13	14	15
P	1	D	-	S	0	3	2	M	S	-	0	1	0	0

Cylinder version	
S	Standard
C	Ultra or Pro Clean (depends on digit 11)
T	Tie-Rod
V	Standard with valve built on (20 digits model code)
L	Standard with lock unit
H	Standard static lock unit

End cover screws		Function				
Standard	Stainless steel ²²⁾					
Std scraper	HDPE scraper ²³⁾					
	FPM scraper ²⁴⁾					
M	D	V	A	H	W	Double-acting
F	E	B	G	Y	Z	Double-acting through rod
2	6	8	-	-	-	3 and 4 positions (6)
C	K	L	-	-	-	Tandem (6)

Stroke (mm)	
e.g. 0100 = 100 mm	
Optional stroke lengths up to 2800 mm. Standard strokes see table.	

Cylinder bore mm	
032	
040	
050	
063	
080	
100	
125	

Piston rod material		Seals		
Stainless steel	Chromium-plated steel	Acid-proof steel	Chrom.-pl. stainless steel	
S	C	M	R	

S and M not in combination with rod lock device

6) For P1D-T

22) If stainless steel end cover screws are selected, the piston rod nuts are also supplied in stainless steel.

23) For dry rod operation.

24) FPM scraper should be chosen for higher chemical resistance on standard temperature versions only.

Example 1 Standard, double acting cylinder

Standard cylinder with standard scraper ring (PUR), standard piston rod material (stainless steel) and standard temperature range.

P1D

P1D-S032MS-0160
P1D-S100MS-0400

Example 2 Tie-Rod, double acting cylinder

Tie-rod cylinder with standard scraper ring (PUR), hard chromed steel piston rod and standard temperature range.

P1D

P1D-T040MC-0125
P1D-T125MS-1000

P1D Series Pneumatic Cylinders

P1D cylinders with centre trunnion

There are three different types of centre trunnion in the P1D family. A centre trunnion for the P1D Standard and one for the P1D Tie-Rod placed in the centre or an optional location of the cylinder, or a flange mounted centre trunnion on the front or rear end cover that fits all P1D cylinders.

For the P1D, the centre trunnion is available among the cylinder mountings in position 17. If G or 7 appears in position 17, the position of the centre trunnion should be specified as a three-digit measurement in positions 18-20. For P1D-S, 000 indicates a loose centre trunnion. If D or 6 appears in position 17, the centre trunnion is always centred on the cylinder (no measurement specified in positions 18-20).

For the version with optional location of the centre trunnion or loose centre trunnion, no choices can be made for positions 18-20 since they are used for the XV dimension.

1	2	3	4	5	6	7	8	9	10	11	12	13	14	15	16	17	18	19	20
P	1	D	-	S	0	4	0	M	S	-	0	3	2	0	N	G	N	N	N

Cylinder version	
S	Standard
C	Ultra Clean (N in position 11)
T	Tie-Rod
V	Standard with valve built on (20 digits model code)
L	Standard with lock unit
H	Standard static lock unit

Cylinder mountings		
90°	0°	90° = shaft square to, 0° = shaft in line with ports ⁵⁾
D	6	Centre trunnion MT4, mid position ⁶⁾
G	7	Trunnion MT4, optional pos. (XV-meas. pos 18-20) ⁷⁾

Except P1D-C Pro Clean version

For P1D-V please consult your local sales support

P1D-C Ultra Clean in bore sizes 32 to 80 mm and strokes up to 700 mm, longer stroke length on request, shaft square to 90° with ports only

For XV position > 999mm consult your local sales support

- 5) Shaft or pivots square to or in line with the cylinder ports.
- 6) Mid position means NNN for digits in position 18-20.
- 7) For P1D-S and P1D-T, XV-measure (from the piston rod thread according to ISO to the centre of the pivots) stated in mm in positions 18-20 (max 999, or 000 if loose centre trunnion specified except P1D-T).

Examples of centre trunnion

P1D-S050MS-0250NDNNN
P1D-T050MS-0250NG205

P1D Standard rod cylinder with centre trunnion installed in centre of cylinder.
P1D Tie rod cylinder with centre trunnion installed on XV dimension specified in positions 18,19 and 20.

P1D Series Pneumatic Cylinders

Extended piston rod

All cylinders in the P1D family can be ordered with extended piston rod, for all piston rod materials. To make it possible to combine piston rod extension with all the functions and properties in the P1D system, the three positions which normally

specify cylinder bore are used to specify both bore and extension. When ordering a P1D cylinder with extended piston rod, specify this as below.

1	2	3	4	5	6	7	8	9	10	11	12	13	14	15
P 1 D - S K R 5 M S - 0 3 2 0														

Cylinder version	
S	Standard
C	Ultra or Pro Clean (depends on digit 11)
T	Tie-Rod
V	Standard with valve built on (20 digits model code)
L	Standard with lock unit
H	Standard static lock unit

Cylinder bore mm	
K	32
L	40
M	50
N	63
P	80
Q	100
R	125

Piston rod extension			
E.g. KR5 = Cylinder bore 32 mm with piston rod extension = 255 mm			
01-99	1-99	N0-N9	220-229
A0-A9	100-109	P0-P9	230-239
B0-B9	110-119	Q0-Q9	240-249
C0-C9	120-129	R0-R9	250-259
D0-D9	130-139	S0-S9	260-269
E0-E9	140-149	T0-T9	270-279
F0-F9	150-159	U0-U9	280-289
G0-G9	160-169	V0-V9	290-299
H0-H9	170-179	W0-W9	300-309
J0-J9	180-189	X0-X9	310-319
K0-K9	190-199	Y0-Y9	320-329
L0-L9	200-209	Z0-Z9	330-339
M0-M9	210-219	Longer on request	

The maximum extended piston rod length that can be specified by the order key is 339 mm. If a longer extended piston rod is needed please consult your local sales support.

By changing from 032 to KR5, the cylinder has been given a 255 mm extended piston rod. At the same time, the cylinder can be specified with all functions and properties in the other digits.

Example of an extended piston rod

P1D-SK45MS-0200 P1D Standard cylinder, bore 32 mm, with a 45 mm extended piston rod.
 P1D-TPD2MS-0500 P1D Tie-Rod cylinder, bore 80 mm, with 132 mm extended piston rod.

Piston rod in alternative materials

P1D has a polished stainless steel piston rod as standard. If you want a different material and/or surface treatment, please order this in combination with seal material in position 10.

Piston rod nuts are supplied in zinc plated steel as standard, but stainless steel piston rod nuts are always supplied for P1D Ultra Clean. If an alternative material is used, the piston rod nut is always supplied in the same material.

1	2	3	4	5	6	7	8	9	10	11	12	13	14	15
P 1 D - S 0 3 2 M S - 0 1 0 0														

Cylinder version	
S	Standard
C	Ultra or Pro Clean (depends on digit 11)
T	Tie-Rod
V	Standard with valve built on (20 digits model code)
L	Standard with lock unit
H	Standard static lock unit

Piston rod material				Seals
Stainless steel	Chromium-plated steel	Acid-proof steel	Chrom.-pl. stainless steel	
S	C	M	R	Standard -20 °C to +80 °C.

S and M not in combination with rod lock device

Example of piston rod material

P1D-S032MS-0100 P1D Standard cylinder, bore 32 mm, with stainless steel piston rod (standard)
 P1D-T040MC-0160 P1D Tie-Rod cylinder, bore 40 mm, with hard chromed steel piston rod

P1D Series Pneumatic Cylinders

Through piston rod

All P1D cylinders can be ordered with a through piston rod. Order this design in position 9 in combination with the scraper ring system as below.

1	2	3	4	5	6	7	8	9	10	11	12	13	14	15
P	1	D	-	S	0	3	2	F	S	-	0	1	0	0

Cylinder version		End cover screws				Function		
		Standard		Stainless steel ²²⁾				
S	Standard	Std scraper	Metal scraper ²⁵⁾	HDPE scraper ²³⁾	FPM scraper ²⁶⁾			
C	Ultra or Pro Clean (depends on digit 11)							
T	Tie-Rod							
V	Standard with valve built on (20 digits model code)							
L	Standard with lock unit							
H	Standard static lock unit							
M	Q	D	V	A	S	H	W	Double-acting
F	R	E	B	G	T	Y	Z	Double-acting through rod

22) If stainless steel end cover screws are selected, the piston rod nuts are also supplied in stainless steel.

23) For dry rod operation. Not for P1D-L and H versions.

25) The metal scraper ring requires a hard-chromium plated piston rod. Option only for P1D-T and P1D-X versions.

26) FPM scraper should be chosen for higher chemical resistance on standard temperature versions only.

Example of through piston rod

P1D-S032FS-0100 P1D Standard cylinder, bore 32 mm, with through piston rod
 P1D-T050FS-0125 P1D Tie-Rod cylinder, bore 50 mm, with through piston rod

3 and 4 positions Tie Rod cylinders

Factory-fitted 3 and 4 position cylinders can be ordered in tie-rod design P1D-T. Through going tie-rods fix the two cylinders into a compact unit.

1	2	3	4	5	6	7	8	9	10	11	12	13	14	15	16	17	18	19	20
P	1	D	-	T	0	8	0	2	S	-	0	2	0	0	N	0	2	5	0

		End cover screws				Function		
		Standard		Stainless steel ²²⁾				
Std scraper	Metal scraper ²⁵⁾	HDPE scraper ²³⁾	FPM scraper ²⁶⁾	Std scraper	Metal scraper ²⁵⁾	HDPE scraper ²³⁾	FPM scraper ²⁶⁾	
M	Q	D	V	A	S	H	W	Double-acting
F	R	E	B	G	T	Y	Z	Double-acting through rod
2	4	6	8	-	-	-	-	3 and 4 position cylinders
C	J	K	L	-	-	-	-	Tandem

22) If stainless steel end cover screws are selected, the piston rod nuts are also supplied in stainless steel.

23) For dry rod operation.

25) The metal scraper ring requires a hard-chromium plated piston rod

26) FPM scraper should be chosen for higher chemical resistance on standard temperature versions only.

Equal stroke – 3 position cylinders

Specify letter T in position 5 (P1D-T) and number 2 in position 9 (if standard scraper ring)

Unequal stroke – 4 position cylinders

Specify letter T in position 5 (P1D-T) and number 2 in position 9 (if standard scraper ring)
 Specify the shortest stroke in the ordinary positions 12, 13, 14, 15 and the longest stroke in positions 17, 18, 19, 20.

Example of 3 and 4 position cylinders

P1D-T0322S-0200 P1D Tie-Rod cylinder with 3 position with strokes 200 mm.

P1D-T0802S-0200N0250 P1D Tie-Rod cylinder with 4 position design with strokes 200 mm and 250 mm.

P1D Series Pneumatic Cylinders

Tandem Tie Rod cylinders

The P1D-T is available in tandem design i.e. two cylinders in series, for almost double force. Order with the letter C in position 9 (if standard scraper ring).

1	2	3	4	5	6	7	8	9	10	11	12	13	14	15
P	1	D	-	T	0	4	0	C	S	-	0	3	2	0

End cover screws								Function
Standard				Stainless steel ²²⁾				
Std scraper	Metal scraper ²⁵⁾	HDPE scraper ²³⁾	FPM scraper ²⁶⁾	Std scraper	Metal scraper ²⁵⁾	HDPE scraper ²³⁾	FPM scraper ²⁶⁾	
M	Q	D	V	A	S	H	W	Double-acting
F	R	E	B	G	T	Y	Z	Double-acting through rod
2	4	6	8	-	-	-	-	3 and 4 position cylinders
C	J	K	L	-	-	-	-	Tandem

22) If stainless steel end cover screws are selected, the piston rod nuts are also supplied in stainless steel.

23) For dry rod operation.

25) The metal scraper ring requires a hard-chromium plated piston rod.

26) FPM scraper should be chosen for higher chemical resistance on standard temperature versions only.

Operation with a dry piston rod

The seal system for operation with a dry piston rod (HDPE scraper) is available as an option for all P1D cylinders except high and low temperature version and the hydraulic model.

Order this function by specifying letter D in position 9 (double acting cylinder) or E (double acting cylinder with through piston rod). Specify the code for the seal system in either the 15 or 20 digit part number.

1	2	3	4	5	6	7	8	9	10	11	12	13	14	15
P	1	D	-	S	0	8	0	D	S	-	0	2	0	0

Cylinder version	
S	Standard
C	Ultra or Pro Clean (depends on digit 11)
T	Tie-Rod
V	Standard with valve built on (20 digits model code)

End cover screws								Function
Standard				Stainless steel ²²⁾				
Std scraper	Metal scraper ²⁵⁾	HDPE scraper ²³⁾	FPM scraper ²⁶⁾	Std scraper	Metal scraper ²⁵⁾	HDPE scraper ²³⁾	FPM scraper ²⁶⁾	
M	Q	D	V	A	S	H	W	Double-acting
F	R	E	B	G	T	Y	Z	Double-acting through rod
2	4	6	8	-	-	-	-	3 and 4 position cylinders
C	J	K	L	-	-	-	-	Tandem

22) If stainless steel end cover screws are selected, the piston rod nut(s) are also supplied in stainless steel.

23) For dry rod operation.

25) The metal scraper ring requires a hard-chromium plated piston rod.

26) FPM scraper should be chosen for higher chemical resistance on standard temperature versions only.

Example of seal system for dry rod

P1D-S040DS-0200 P1D Standard cylinder with seal system for dry operation.

P1D With Valve Built On

P1D Standard can be ordered with a factory-fitted valve and tubing. The complete working unit can be used in silo applications, for operating flaps and valves, in sawmills and in many similar installations in which the cylinders are scattered or the fast actuation is important. The unit with the valve installed is compact, so it can also be used in small spaces.



A 20-character order number is used to order the P1D Standard with factory fitted valve. Position 5 indicates the cylinder version, with the actuation type in position 11 and the valve type in position 20.

1	2	3	4	5	6	7	8	9	10	11	12	13	14	15	16	17	18	19	20
P	1	D	-	V	0	5	0	M	S	1	0	3	2	0	N	N	N	N	H

Cylinder version	Factory fitted valve type	Valve function
V Standard with factory fitted valve	0 Air actuated	Air actuated (digit 11: 0)
	1 Electrically actuated 24 V UC, LED+VDR (AC/DC Universal Current) Complete with rectifier	A Air-Air, 5/2
	2 Electrically actuated 115 V/50 Hz, 120 V/60 Hz, LED+VDR	B Air-Spring, 5/2
	3 Electrically actuated 230 V/50 Hz, 240 V/60 Hz, LED+VDR	C Air-Air, 5/3, closed centre position
	4 Electrically actuated 24 V UC, LED+VDR with 5 m integral cable (AC/DC Universal Current) Complete with rectifier	D Air-Air, 5/3, vented centre
	7 Electrically actuated 24 V UC, LED+VDR with 10 m integral cable (AC/DC Universal Current) Complete with rectifier	E Air-Air, 5/3, pressurised centre
		Electrically actuated internal supply
		F Elec-Elec, 5/2
		H Elec-Spring, 5/2
		K Spring-Elec*, 5/2
		M Elec-Elec, 5/3, closed centre position
		Q Elec-Elec, 5/3, vented centre
		S Elec-Elec, 5/3, pressurised centre

* Piston rod in extended position with unactuated valve

P1D Profile, electrically actuated 24V UC, 5/2 valve Electric / Electric function

Cyl. bore mm	Stroke mm	Order code	Cyl. bore mm	Stroke mm	Order code	Cyl. bore mm	Stroke mm	Order code
32 Conn. G1/8	25	P1D-V032MS10025NNNNF	63 Conn. G3/8	25	P1D-V063MS10025NNNNF	125 Conn. G1/2	25	P1D-V125MS10025NNNNF
	40	P1D-V032MS10040NNNNF		40	P1D-V063MS10040NNNNF		40	P1D-V125MS10040NNNNF
	50	P1D-V032MS10050NNNNF		50	P1D-V063MS10050NNNNF		50	P1D-V125MS10050NNNNF
	80	P1D-V032MS10080NNNNF		80	P1D-V063MS10080NNNNF		80	P1D-V125MS10080NNNNF
	100	P1D-V032MS10100NNNNF		100	P1D-V063MS10100NNNNF		100	P1D-V125MS10100NNNNF
	125	P1D-V032MS10125NNNNF		125	P1D-V063MS10125NNNNF		125	P1D-V125MS10125NNNNF
	160	P1D-V032MS10160NNNNF		160	P1D-V063MS10160NNNNF		160	P1D-V125MS10160NNNNF
	200	P1D-V032MS10200NNNNF		200	P1D-V063MS10200NNNNF		200	P1D-V125MS10200NNNNF
	250	P1D-V032MS10250NNNNF		250	P1D-V063MS10250NNNNF		250	P1D-V125MS10250NNNNF
	320	P1D-V032MS10320NNNNF		320	P1D-V063MS10320NNNNF		320	P1D-V125MS10320NNNNF
400	P1D-V032MS10400NNNNF	400	P1D-V063MS10400NNNNF	400	P1D-V125MS10400NNNNF			
500	P1D-V032MS10500NNNNF	500	P1D-V063MS10500NNNNF	500	P1D-V125MS10500NNNNF			
40 Conn. G1/4	25	P1D-V040MS10025NNNNF	80 Conn. G3/8	25	P1D-V080MS10025NNNNF	The cylinders are supplied complete with one zinc plated steel piston rod nut.		
	40	P1D-V040MS10040NNNNF		40	P1D-V080MS10040NNNNF			
	50	P1D-V040MS10050NNNNF		50	P1D-V080MS10050NNNNF			
	80	P1D-V040MS10080NNNNF		80	P1D-V080MS10080NNNNF			
	100	P1D-V040MS10100NNNNF		100	P1D-V080MS10100NNNNF			
	125	P1D-V040MS10125NNNNF		125	P1D-V080MS10125NNNNF			
	160	P1D-V040MS10160NNNNF		160	P1D-V080MS10160NNNNF			
	200	P1D-V040MS10200NNNNF		200	P1D-V080MS10200NNNNF			
	250	P1D-V040MS10250NNNNF		250	P1D-V080MS10250NNNNF			
	320	P1D-V040MS10320NNNNF		320	P1D-V080MS10320NNNNF			
400	P1D-V040MS10400NNNNF	400	P1D-V080MS10400NNNNF					
500	P1D-V040MS10500NNNNF	500	P1D-V080MS10500NNNNF					
50 Conn. G1/4	25	P1D-V050MS10025NNNNF	100 Conn. G1/2	25	P1D-V100MS10025NNNNF			
	40	P1D-V050MS10040NNNNF		40	P1D-V100MS10040NNNNF			
	50	P1D-V050MS10050NNNNF		50	P1D-V100MS10050NNNNF			
	80	P1D-V050MS10080NNNNF		80	P1D-V100MS10080NNNNF			
	100	P1D-V050MS10100NNNNF		100	P1D-V100MS10100NNNNF			
	125	P1D-V050MS10125NNNNF		125	P1D-V100MS10125NNNNF			
	160	P1D-V050MS10160NNNNF		160	P1D-V100MS10160NNNNF			
	200	P1D-V050MS10200NNNNF		200	P1D-V100MS10200NNNNF			
	250	P1D-V050MS10250NNNNF		250	P1D-V100MS10250NNNNF			
	320	P1D-V050MS10320NNNNF		320	P1D-V100MS10320NNNNF			
400	P1D-V050MS10400NNNNF	400	P1D-V100MS10400NNNNF					
500	P1D-V050MS10500NNNNF	500	P1D-V100MS10500NNNNF					



P1D with valve built on

The valve series is the robust and compact Viking Xtreme series, with product code P2LAX (for cylinder bores 32-63), P2LBX (for cylinder bores 80-100) and P2LDX (for cylinder bore 125). This valve series was specially designed for harsh environments and a long service life. The valve is securely fitted to a fixing plate bolted onto the cylinder barrel.

The unit is delivered complete with valve, Prestolok push-in connection in nickel plated brass, and hosing. The valve has built-in silencers (Siflow for speed regulation), and electrically-operated versions have solenoid valves (P2E with spring-loaded manual override) and a cable head with LED and spark dispersion. The supply voltage is 24V for AC as well as DC versions. This UC (Universal Current) is possible because of a built-in rectifier in the cable head, allowing the use of direct current and alternating current for actuation. Of course, the entire range of P1D accessories can also be used for the P1D with built-in valve, and cylinders can be ordered with factory-fitted accessories and sensors.

Technical data

Working pressure	max 10 bar
Working media	dry filtered compressed air.
Working temperature:	-15 °C to +60 °C
Flow, P2LAX, acc. to ISO 6358	Qn = 720 NI/min
Flow, P2LBX, acc. to ISO 6358	Qn = 1290 NI/min
Flow, P2LDX, acc. to ISO 6358	Qn = 2650 NI/min

Material specification

Valves ¹⁾	
Housing and ends	Anodised aluminium
Solenoid valves	
Housing	Polyamide
Magnet coil	Epoxy coated
Fixing plate	Anodised aluminium
Fixing screws for plate	Stainless steel
Fixing screws for valve	Zinc-coated steel
Angle connections	Nickel-coated brass
Plastic tubes	PUR

Fast response

The large flow capacity of the valve and the short distance between the valve and the cylinder ports mean that the working unit operates quickly (short actuation time and with minimal flow restriction).

No maintenance and easy to service

The working unit is built from standard components. The cylinders and the valves are designed to be used without supplementary lubrication.

Note that cylinder diameters 32-63 use valve P2LAX (1/8"), diameters 80-100 use P2LBX (1/4"), and diameter 125 uses P2LDX (1/2"). This version of the cylinder can of course be combined with factory-fitted cylinder accessories, piston rod accessories and sensors. Fixing plates for different valve sizes may be ordered separately.

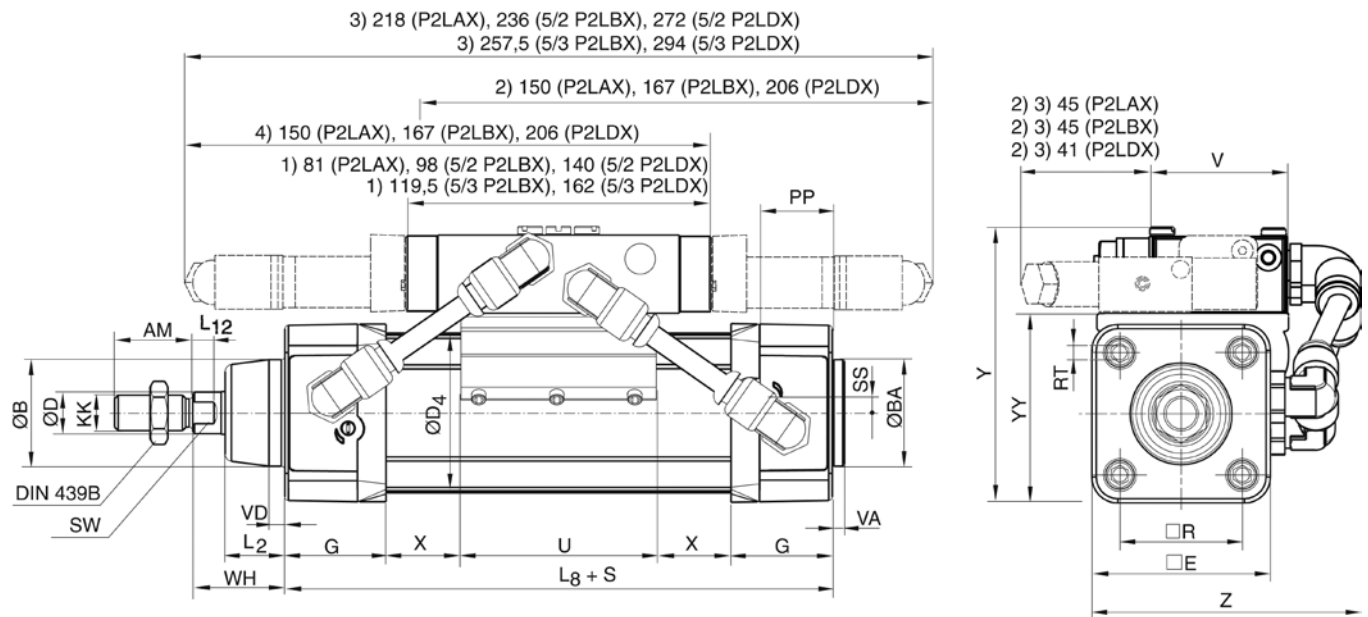
Accessories

Name	Order code
Siflow silencer for P2LAX valve, G1/8	9301050901
Sintered plastic silencer for P2LAX valve, G1/8	P6M-PAB1
Siflow silencer for P2LBX valve, G1/4	9301050902
Sintered plastic silencer for P2LBX valve, G1/4	P6M-PAB2
Siflow silencer for P2LDX valve, G1/2	9301050904
Sintered plastic silencer for P2LDX valve, G1/2	P6M-PAB4
Fixing plate for Ø32 - Ø63, valve P2LAX, -BX	9121742111
Fixing plate for Ø80, Ø100, valve P2LAX, -BX, -DX	9121742112
Fixing plate for Ø125, valve P2LAX, -BX, -DX	9121742113

Part numbers are here above given as spare parts or to add a valve on a P1D-S Standard by yourself.

1) see also catalogue for P2L series Viking valves

P1D with built on valve



Dimensions (mm)

Cylinder bore mm	AM mm	B mm	BA mm	BG mm	D mm	D4 mm	E mm	G mm	KK	L2 mm	L8 mm	L12 mm	PP mm	R mm
32	22	30	30	16	12	45,0	50,0	28,5	M10x1,25	16,0	94	6,0	21,8	32,5
40	24	35	35	16	16	52,0	57,4	33,0	M12x1,25	19,0	105	6,5	21,9	38,0
50	32	40	40	16	20	60,7	69,4	33,5	M16x1,5	24,0	106	8,0	23,0	46,5
63	32	45	45	16	20	71,5	82,4	39,5	M16x1,5	24,0	121	8,0	27,4	56,5
80	40	45	45	17	25	86,7	99,4	39,5	M20x1,5	30,0	128	10,0	30,5	72,0
100	40	55	55	17	25	106,7	116,0	44,5	M20x1,5	32,4	138	14,0	35,8	89,0
125	54	60	60	20	32	134,0	139,0	51,0	M27x2	45,0	160	18,0	40,5	110,0

Cylinder bore mm	RT	SS mm	SW mm	VA mm	VD mm	WH mm	U mm	V mm	X mm	Y mm	YY mm	Z mm	ZZ mm
32	M6	4,0	10	3,5	4,5	26	55	40	-9+S/2	80	56	80	90
40	M6	8,0	13	3,5	4,5	30	55	40	-8+S/2	88	64	87	96
50	M8	4,0	17	3,5	5,0	37	55	40	-8+S/2	102	78	96	105
63	M8	6,5	17	3,5	5,0	37	55	40	-6,5+S/2	109	85	107	116
80	M10	0	22	3,5	4,0	46	55	40	-2,5+S/2	127	102	132	125
100	M10	0	22	3,5	4,0	51	55	40	-2,5+S/2	142	117	148	140
125	M12	0	27	5,5	6,0	65	55	48	2+S/2	180	146	183	159

S=Stroke

1) Air actuated 5/2 and 5/3

2) Electrically actuated 5/2 with spring return

3) Electrically actuated 5/2 and 5/3 (2 solenoid valves)

4) Electrically actuated 5/2 with spring return(reverse function)

P2LAX Ø32 - Ø63 mm

P2LBX Ø80 - Ø100 mm

P2LDX Ø125 mm

Tolerances (mm)

Cylinder bore mm	B mm	BA mm	L ₈ mm	L ₉ mm	R mm	Stroke tolerance up to stroke 500 mm	Stroke tolerance for stroke over 500 mm
32	d11	d11	±0,4	±2	±0,5	+0,3/+2,0	+0,3/+3,0
40	d11	d11	±0,7	±2	±0,5	+0,3/+2,0	+0,3/+3,0
50	d11	d11	±0,7	±2	±0,6	+0,3/+2,0	+0,3/+3,0
63	d11	d11	±0,8	±2	±0,7	+0,3/+2,0	+0,3/+3,0
80	d11	d11	±0,8	±3	±0,7	+0,3/+2,0	+0,3/+3,0
100	d11	d11	±1,0	±3	±0,7	+0,3/+2,0	+0,3/+3,0
125	d11	d11	±1,0	±3	±1,1	+0,3/+2,0	+0,3/+3,0

P1D cylinder with piston rod locking

The P1D cylinder is available in a version with piston rod locking, allowing the piston rod to be locked in any position. The lock unit, of the air/spring actuated type, is integrated in the front end piece of the cylinder. With no signal pressure, the full force of the lock is applied to the piston rod, and the lock is released at 4 bar signal pressure. Lock units are available in bores 32-125 mm. Of course, the entire range of P1D accessories can also be used for the locking cylinder. However, the lock unit increases the overall length of the cylinder. Not certified for used in safety systems.



Cyl. bore mm	Stroke mm	Order code
32 Conn. G1/8	25	P1D-L032MC-0025
	40	P1D-L032MC-0040
	50	P1D-L032MC-0050
	80	P1D-L032MC-0080
	100	P1D-L032MC-0100
	125	P1D-L032MC-0125
	160	P1D-L032MC-0160
	200	P1D-L032MC-0200
	250	P1D-L032MC-0250
	320	P1D-L032MC-0320
400	P1D-L032MC-0400	
500	P1D-L032MC-0500	
40 Conn. G1/4	25	P1D-L040MC-0025
	40	P1D-L040MC-0040
	50	P1D-L040MC-0050
	80	P1D-L040MC-0080
	100	P1D-L040MC-0100
	125	P1D-L040MC-0125
	160	P1D-L040MC-0160
	200	P1D-L040MC-0200
	250	P1D-L040MC-0250
	320	P1D-L040MC-0320
400	P1D-L040MC-0400	
500	P1D-L040MC-0500	
50 Conn. G1/4	25	P1D-L050MC-0025
	40	P1D-L050MC-0040
	50	P1D-L050MC-0050
	80	P1D-L050MC-0080
	100	P1D-L050MC-0100
	125	P1D-L050MC-0125
	160	P1D-L050MC-0160
	200	P1D-L050MC-0200
	250	P1D-L050MC-0250
	320	P1D-L050MC-0320
400	P1D-L050MC-0400	
500	P1D-L050MC-0500	
63 Conn. G3/8	25	P1D-L063MC-0025
	40	P1D-L063MC-0040
	50	P1D-L063MC-0050
	80	P1D-L063MC-0080
	100	P1D-L063MC-0100
	125	P1D-L063MC-0125
	160	P1D-L063MC-0160
	200	P1D-L063MC-0200
	250	P1D-L063MC-0250
	320	P1D-L063MC-0320
400	P1D-L063MC-0400	
500	P1D-L063MC-0500	

Cyl. bore mm	Stroke mm	Order code
80 Conn. G3/8	25	P1D-L080MC-0025
	40	P1D-L080MC-0040
	50	P1D-L080MC-0050
	80	P1D-L080MC-0080
	100	P1D-L080MC-0100
	125	P1D-L080MC-0125
	160	P1D-L080MC-0160
	200	P1D-L080MC-0200
	250	P1D-L080MC-0250
	320	P1D-L080MC-0320
400	P1D-L080MC-0400	
500	P1D-L080MC-0500	
100 Conn. G1/2	25	P1D-L100MC-0025
	40	P1D-L100MC-0040
	50	P1D-L100MC-0050
	80	P1D-L100MC-0080
	100	P1D-L100MC-0100
	125	P1D-L100MC-0125
	160	P1D-L100MC-0160
	200	P1D-L100MC-0200
	250	P1D-L100MC-0250
	320	P1D-L100MC-0320
400	P1D-L100MC-0400	
500	P1D-L100MC-0500	
125 Conn. G1/2	25	P1D-L125MC-0025
	40	P1D-L125MC-0040
	50	P1D-L125MC-0050
	80	P1D-L125MC-0080
	100	P1D-L125MC-0100
	125	P1D-L125MC-0125
	160	P1D-L125MC-0160
	200	P1D-L125MC-0200
	250	P1D-L125MC-0250
	320	P1D-L125MC-0320
400	P1D-L125MC-0400	
500	P1D-L125MC-0500	

The cylinders are supplied complete with one zinc plated steel piston rod nut.

P1D-L



Clean and compact design

The front end piece and lock unit form an integrated block, keeping the length of the structure short. The design is easy to clean, sealed and waterproof. The exhaust air from the lock unit can be removed by replacing the filter unit with a connector and hose. This is an advantage in terms of cleaning or when environmental factors are important.

Locking and braking

The static locking force corresponds to 7 bar pressure. Under certain circumstances, the lock can also be used as a brake for positioning or similar applications. The maximum values set out in the graph must not be exceeded.

Technical data

Working pressure	max 10 bar
Working media	dry filtered compressed air
Working temperature	-20 °C to +80 °C
Release pressure ¹⁾	min 4 bar ± 10%

1) Signal pressure to inlet port of lock unit.

Static lock forces

Lock forces at 0 bar signal pressure to lock unit

Cylinder dia. mm	Lock force N
32	550
40	860
50	1345
63	2140
80	3450
100	5390
125	8425

Function on pressure loss

The piston rod lock can be used in all material handling systems where controlled fastening or positioning is required. The piston rod lock is also suitable for use as a pressure-loss brake for cylinders with suspended loads, for example. See lock forces.

The signal air to the lock unit can be connected directly to the air system or to the supply air for the valve controlling the cylinder in question. For controlled on/off operation of the lock unit, a separate valve, with large exhaust flow capacity, is used.

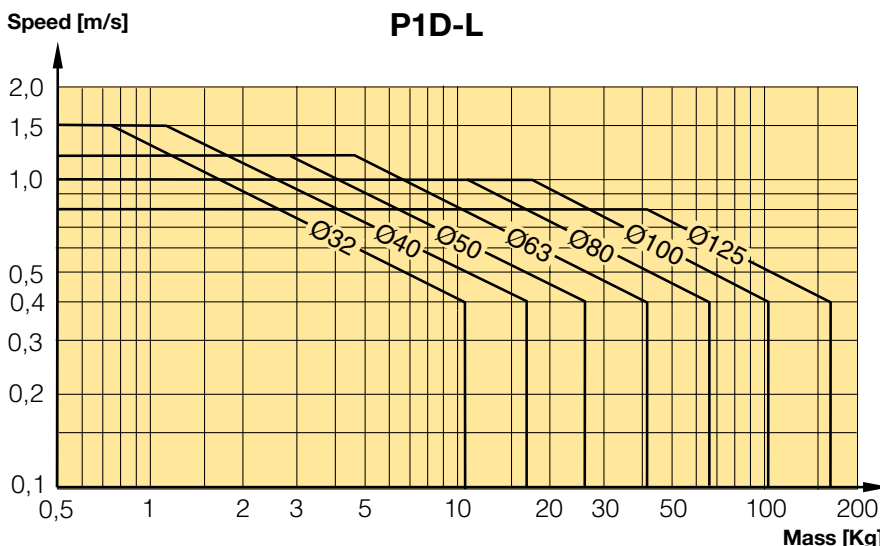
Material specification, piston rod locking

Housing/end piece	Black anodised aluminium
Lock collar/piston	Hardened steel
Springs	Stainless steel
Piston rod seal Dim 32-40	UHMWPE plastic
Piston rod seal Dim 50-125	Polyurethane
O-rings	Nitrile rubber, NBR
Scraper ring	Polyurethane
Air filter	Brass/sintered bronze

Other data as for relevant base cylinder.

The cylinders are supplied with a hard chrome plated piston rod.

NOTE!
If rod guidance module is to be fitted, the piston rod must be extended to provide the same WH dimensions as for the P1D base cylinder.

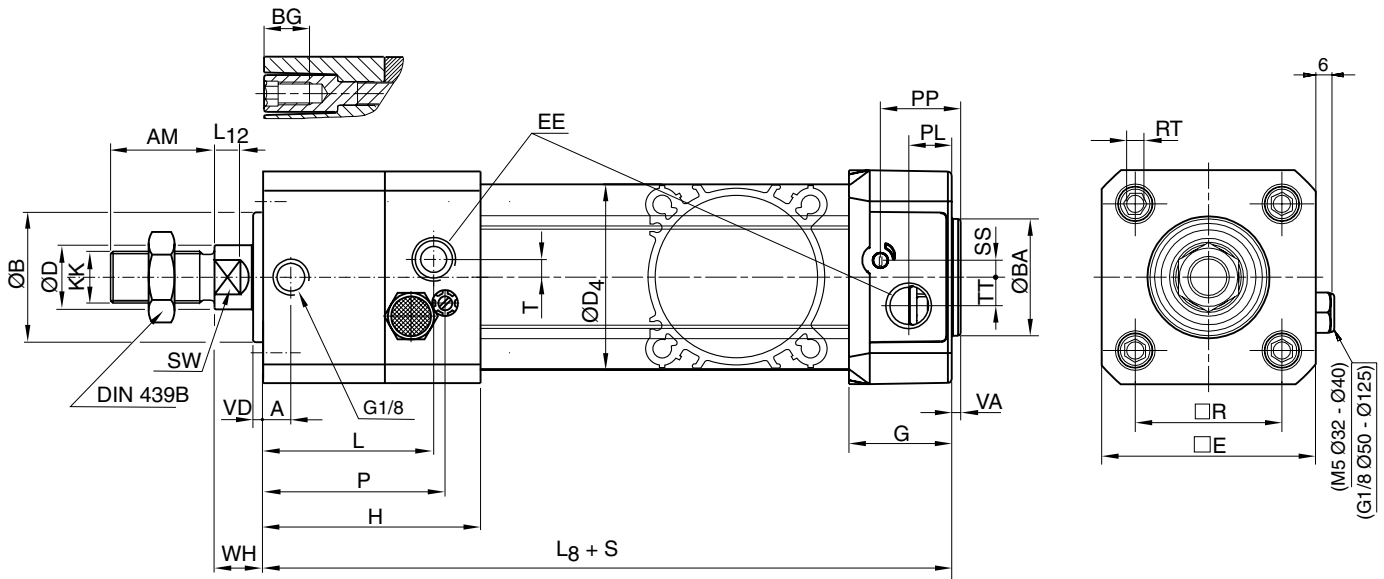


Use as a brake

The table shows the maximum values for speed and braking mass if the cylinder is used as a brake. The cylinder should not be exposed to additional compressive forces as this significantly reduces the external mass that can be braked.

We recommend system solutions as shown in the pneumatic circuits (Fastening in position) or similar, in which the cylinder does not act as a motor during braking. Heat is generated if the brake is used frequently, and this must be taken into account to ensure that the maximum temperature is not exceeded.

P1D-L



Dimensions (mm)

Cylinder bore mm	A	AM	B	BA	BG	D	D4	E	EE	G	H	KK	L
mm	mm	mm	mm	mm	mm	mm	mm	mm	mm	mm	mm	mm	mm
32	18,5	22	30	30	16	12	45,0	50,0	G1/8	28,5	71,0	M10x1,25	53,0
40	20,0	24	35	35	16	16	52,0	57,4	G1/4	33,0	76,5	M12x1,25	56,0
50	21,0	32	40	40	16	20	60,7	69,4	G1/4	33,5	80,0	M16x1,5	65,0
63	30,0	32	45	45	16	20	71,5	82,4	G3/8	39,5	96,0	M16x1,5	76,5
80	35,0	40	45	45	17	25	86,7	99,4	G3/8	39,5	110,0	M20x1,5	89,0
100	54,0	40	55	55	17	25	106,7	116,0	G1/2	44,5	132,0	M20x1,5	112,0
125	65,5	54	60	60	20	32	134,0	139,0	G1/2	51,0	144,5	M27x2	124,5

Cylinder bore mm	L8	L12	P	PL	PP	R	RT	SS	SW	T	TT	VA	VD	WH *
mm	mm	mm	mm	mm	mm	mm	mm	mm	mm	mm	mm	mm	mm	mm
32	137	6,0	63,0	13,0	21,8	32,5	M6	4,0	10	4,5	4,5	3,5	4,5	15
40	149	6,5	67,5	14,0	21,9	38,0	M6	8,0	13	3,0	5,5	3,5	4,5	16
50	153	8,0	71,0	14,0	23,0	46,5	M8	4,0	17	5,5	7,5	3,5	5,0	17
63	178	8,0	87,0	16,4	27,4	56,5	M8	6,5	17	3,0	11,0	3,5	5,0	17
80	199	10,0	101,0	16,0	30,5	72,0	M10	0	22	6,0	15,0	3,5	4,0	20
100	226	14,0	122,0	18,0	35,8	89,0	M10	0	22	6,0	20,0	3,5	4,0	20
125	254	18,0	134,5	28,0	40,5	110,0	M12	0	27	6,0	17,5	5,5	6,0	27

S=Stroke

* WH is shorter than the ISO WH dimension without rod lock unit

Tolerances (mm)

Cylinder bore mm	B	BA	L ₈	L ₉	R	Stroke tolerance up to stroke 500 mm	Stroke tolerance for stroke over 500 mm
mm	mm	mm	mm	mm	mm		
32	d11	d11	±0,4	±2	±0,5	+0,3/+2,0	+0,3/+3,0
40	d11	d11	±0,7	±2	±0,5	+0,3/+2,0	+0,3/+3,0
50	d11	d11	±0,7	±2	±0,6	+0,3/+2,0	+0,3/+3,0
63	d11	d11	±0,8	±2	±0,7	+0,3/+2,0	+0,3/+3,0
80	d11	d11	±0,8	±3	±0,7	+0,3/+2,0	+0,3/+3,0
100	d11	d11	±1,0	±3	±0,7	+0,3/+2,0	+0,3/+3,0
125	d11	d11	±1,0	±3	±1,1	+0,3/+2,0	+0,3/+3,0

P1D cylinder with static piston rod locking

The P1D cylinder is available in a version with piston rod locking, allowing the piston rod to be locked in any position. The lock unit, of the air/spring actuated type. With no signal pressure, the full force of the lock is applied to the piston rod, and the lock is released at 3 bar signal pressure. Lock units are available for P1D Standard, in bores 32-125 mm. Of course, the entire range of P1D accessories can also be used for the locking cylinder, which can be ordered with factory fitted accessories, sensors. However, the lock unit increases the overall length of the cylinder. Not certified for used in safety systems.



Cyl. bore mm	Stroke mm	Order code
32 Conn. G1/8	25	P1D-H032MC-0025
	40	P1D-H032MC-0040
	50	P1D-H032MC-0050
	80	P1D-H032MC-0080
	100	P1D-H032MC-0100
	125	P1D-H032MC-0125
	160	P1D-H032MC-0160
	200	P1D-H032MC-0200
	250	P1D-H032MC-0250
	320	P1D-H032MC-0320
40 Conn. G1/4	25	P1D-H040MC-0025
	40	P1D-H040MC-0040
	50	P1D-H040MC-0050
	80	P1D-H040MC-0080
	100	P1D-H040MC-0100
	125	P1D-H040MC-0125
	160	P1D-H040MC-0160
	200	P1D-H040MC-0200
	250	P1D-H040MC-0250
	320	P1D-H040MC-0320
50 Conn. G1/4	25	P1D-H050MC-0025
	40	P1D-H050MC-0040
	50	P1D-H050MC-0050
	80	P1D-H050MC-0080
	100	P1D-H050MC-0100
	125	P1D-H050MC-0125
	160	P1D-H050MC-0160
	200	P1D-H050MC-0200
	250	P1D-H050MC-0250
	320	P1D-H050MC-0320
63 Conn. G3/8	25	P1D-H063MC-0025
	40	P1D-H063MC-0040
	50	P1D-H063MC-0050
	80	P1D-H063MC-0080
	100	P1D-H063MC-0100
	125	P1D-H063MC-0125
	160	P1D-H063MC-0160
	200	P1D-H063MC-0200
	250	P1D-H063MC-0250
	320	P1D-H063MC-0320
	400	P1D-H063MC-0400
	500	P1D-H063MC-0500

Cyl. bore mm	Stroke mm	Order code
80 Conn. G3/8	25	P1D-H080MC-0025
	40	P1D-H080MC-0040
	50	P1D-H080MC-0050
	80	P1D-H080MC-0080
	100	P1D-H080MC-0100
	125	P1D-H080MC-0125
	160	P1D-H080MC-0160
	200	P1D-H080MC-0200
	250	P1D-H080MC-0250
	320	P1D-H080MC-0320
100 Conn. G1/2	25	P1D-H100MC-0025
	40	P1D-H100MC-0040
	50	P1D-H100MC-0050
	80	P1D-H100MC-0080
	100	P1D-H100MC-0100
	125	P1D-H100MC-0125
	160	P1D-H100MC-0160
	200	P1D-H100MC-0200
	250	P1D-H100MC-0250
	320	P1D-H100MC-0320
125 Conn. G1/2	25	P1D-H125MC-0025
	40	P1D-H125MC-0040
	50	P1D-H125MC-0050
	80	P1D-H125MC-0080
	100	P1D-H125MC-0100
	125	P1D-H125MC-0125
	160	P1D-H125MC-0160
	200	P1D-H125MC-0200
	250	P1D-H125MC-0250
	320	P1D-H125MC-0320
	400	P1D-H125MC-0400
	500	P1D-H125MC-0500

The cylinders are supplied complete with one zinc plated steel piston rod nut.

P1D-H

Function on pressure loss

The piston rod lock can be used in all material handling systems where controlled fastening or positioning is required. The signal air to the lock unit can be connected directly to the air system or to the supply air for the valve controlling the cylinder in question. For controlled on/off operation of the lock unit, a separate valve, with large exhaust flow capacity, is used.



Technical data

Working pressure	max 10 bar
Working media	dry filtered compressed air.
Working temperature:	-20 °C to +80 °C
Release pressure ¹⁾	> 4 bar

1) Signal pressure to inlet port of lock unit.

Material specification, piston rod locking

Housing	Black anodised aluminium
Carriage	Black anodised aluminium
Lock collar	Brass
Springs	Stainless steel

Other data as for relevant base cylinder.

The cylinders are supplied with a hard chrome plated piston rod.

Static lock forces

Lock forces at 0 bar signal pressure lock unit

Cylinder dia. mm	Lock force N
32	600
40	1000
50	1500
63	2200
80	3000
100	5000
125	7500

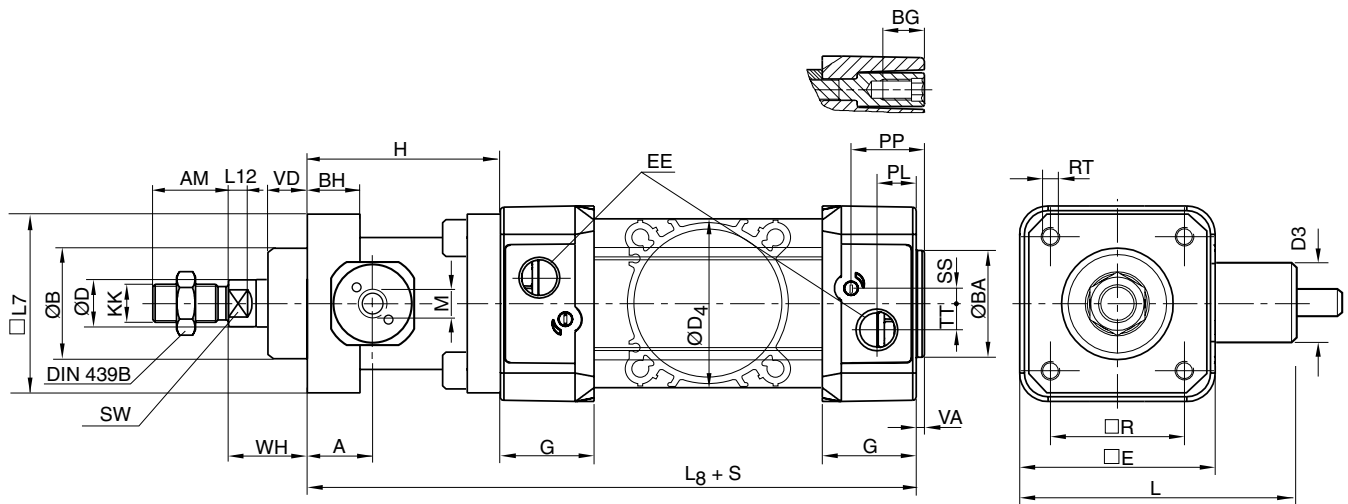
Separate Rod Locking



Separate Rod Locking to be mounted on a standard P1D. The cylinder need to have extended piston rod. Note! Chrome plated piston rod must be used.

Cyl. bore Ø mm	Rod Ø mm	Rod extension mm	Weight kg	Order code
32	12	48	0,60	KC 8227
40	16	55	0,80	KC 8228
50	20	70	1,00	KC 8229
63	20	70	1,20	KC 8230
80	25	90	1,40	KC 8231
100	25	92	1,60	KC 8232
125	32	122	1,80	KC 8233

P1D-H



Dimensions (mm)

Cylinder bore mm	A	AM	B	BA	BG	BH	D	D3	D4	E	EE	G	H	KK
32	16,0	22	30	30	16	12	12	22,5	45,0	50,0	G1/8	28,5	48,0	M10x1,25
40	19,5	24	35	35	16	12	16	27,5	52,0	57,4	G1/4	33,0	55,0	M12x1,25
50	21,0	32	40	40	16	16	20	32,5	60,7	69,4	G1/4	33,5	70,0	M16x1,5
63	21,0	32	45	45	16	15	20	41,0	71,5	82,4	G3/8	39,5	70,0	M16x1,5
80	28,0	40	45	45	17	16	25	49,0	86,7	99,4	G3/8	39,5	90,0	M20x1,5
100	27,0	40	55	55	17	18	25	53,0	106,7	116,0	G1/2	44,5	92,0	M20x1,5
125	37,0	54	60	60	20	27	32	65,0	134,0	139,0	G1/2	51,0	122,0	M27x2

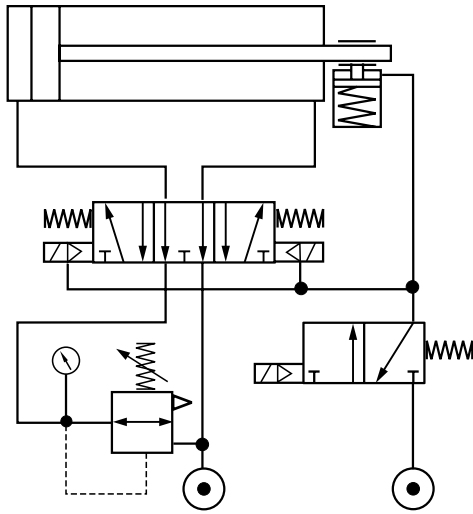
Cylinder bore mm	L	L7	L8	L12	M	PL	PP	R	RT	SS	SW	TT	VA	VD	WH
32	94,0	48	142	6,0	M5	13,0	21,8	32,5	M6	4,0	10	4,5	3,5	10	26
40	102,5	56	160	6,5	G1/8	14,0	21,9	38,0	M6	8,0	13	5,5	3,5	10	30
50	119,5	68	176	8,0	G1/8	14,0	23,0	46,5	M8	4,0	17	7,5	3,5	12	37
63	138,0	82	203	8,0	G1/8	16,4	27,4	56,5	M8	6,5	17	11,0	3,5	12	37
80	152,0	100	218	10,0	G1/8	16,0	30,5	72,0	M10	0	22	15,0	3,5	20	46
100	193,5	120	230	14,0	G1/8	18,0	35,8	89,0	M10	0	22	20,0	3,5	23	51
125	223,5	140	282	18,0	G1/8	28,0	40,5	110,0	M12	0	27	17,5	5,5	32	65

S=Stroke

Tolerances (mm)

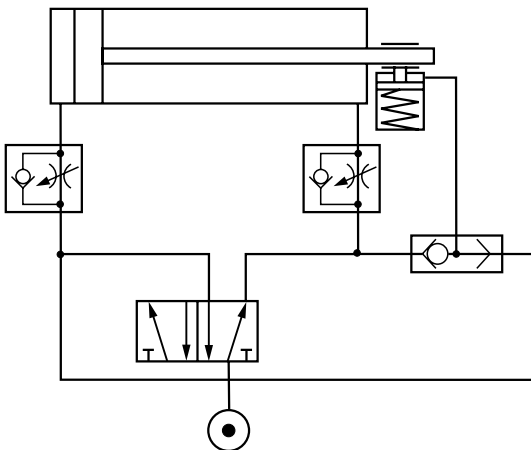
Cylinder bore mm	B	BA	L ₈	L ₉	R	Stroke tolerance up to stroke 500 mm	Stroke tolerance for stroke over 500 mm
32	d11	d11	±0,4	±2	±0,5	+0,3/+2,0	+0,3/+3,0
40	d11	d11	±0,7	±2	±0,5	+0,3/+2,0	+0,3/+3,0
50	d11	d11	±0,7	±2	±0,6	+0,3/+2,0	+0,3/+3,0
63	d11	d11	±0,8	±2	±0,7	+0,3/+2,0	+0,3/+3,0
80	d11	d11	±0,8	±3	±0,7	+0,3/+2,0	+0,3/+3,0
100	d11	d11	±1,0	±3	±0,7	+0,3/+2,0	+0,3/+3,0
125	d11	d11	±1,0	±3	±1,1	+0,3/+2,0	+0,3/+3,0

Fastening in position



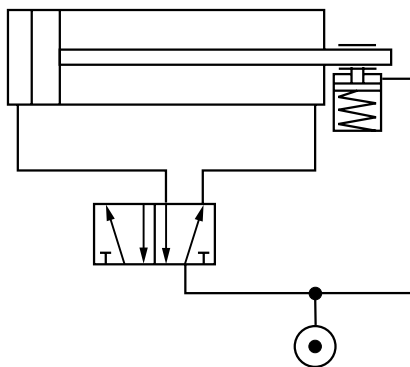
This is the optimum solution for straightforward fastening in any position, while preserving the maximum expected service life of the lock. The cylinder is supplied with compressed air via a 5/3 valve with vented centre. The valve is supplied with full pressure in port 3, port 2 is connected to the minus port on the cylinder, port 5 is supplied with a reduced pressure and port 4 is connected to the plus port on the cylinder. The reduced pressure to the cylinder plus port is to equalise the force, so that no forces can act on the lock when it is in the locked position. The solenoid valves of the 5/3 valve are supplied with compressed air from a 3/2 valve, which also supplies compressed air to release the lock. To cause the cylinder to move in either direction, the 3/2 must be actuated in order to release the lock and supply the solenoid valves with signal air, after which they can be actuated. This means that as soon as the 3/2 valve is deactuated, the lock is applied and no signal air is supplied to the solenoid valves, causing the 5/3 valve to switch to the centre position. The cylinder is now supplied by the two different pressure sources, is fully vented and no force is applied to the lock.

Function on hose rupture



This arrangement helps to secure the piston rod if there is a pressure loss due to hose rupture. The cylinder is supplied by a 5/2 valve and the cylinder speed is controlled using flow control valves with by-pass fitted near the cylinder. A TEE piece is fitted in the pipe between the working valve and the cylinder, going to a changeover valve with air passing to the lock. In the event of a pressure loss, the pressure to the 5/2 valve ceases, as does the pressure via the changeover valve to the lock. The lock is then applied.

Function on pressure loss



This solution is used to lock the cylinder in the event of a pressure loss in the system. A TEE piece is fitted in the pipe feeding the working valve for the cylinder. The lock on the cylinder is supplied from this TEE piece. In the event of a pressure loss, the lock is vented immediately and is applied.

Order Key Code (* 20 digits only for options)

15 digit order code															20 digit order code *				
1	2	3	4	5	6	7	8	9	10	11	12	13	14	15	16	17	18	19	20
P	1	D	-	S	0	3	2	M	S	-	0	1	0	0	N	D	NN	NN	N

5 Valid only for P1D-S***MS-****, see ATEX information

Cylinder version	
S	Standard
C	Ultra or Pro Clean ¹⁾
T	Tie rod
V	Standard with built on valve
L	With rod lock unit ²⁾
H	With rod static lock unit ²⁾

6-7-8

Cylinder bore mm	
032	
040	
050	
063	
080	
100	
125	

6 For rod extension only

Cylinder bore mm	
K	32
L	40
M	50
N	63
P	80
Q	100
R	125

9

End cover screws		Function
Standard	Stainless steel ³⁾	
Std scraper	HDPE scraper ⁴⁾	Double-acting
HDPE scraper ⁴⁾	FPM scraper	
FPM scraper	Std scraper	
Std scraper	HDPE scraper ⁴⁾	
HDPE scraper ⁴⁾	FPM scraper	
FPM scraper		
M D V A H W		Double-acting
F E B G Y Z		Double-acting through rod
2 6 8 - - -		3 and 4 position cylinders (Only for Tie Rod)
C K L - - -		Tandem (Only for Tie Rod)

10

Piston rod material		Seals	
Stainless steel	Chromium-plated steel	Acid-proof steel	Chromium plated stainless steel
S	C	M	R
Standard temperature -20°C to +80°C			

S and M not in combination with rod lock device

17-18-19-20

Centre trunnion ^{5) 6)}		
90°	0°	See page 48 for orientation details
D 6		Centre trunnion MT4, mid position NNN digits 18-19-20
G 7		Trunnion MT4, optional pos. XV-meas. digits 18-19-20

11

Options	
-	G threads
0	Air actuated P1D-V only
1	Electrically actuated 24 V UC, LED+VDR (AC/DC Universal Current) Complete with rectifier
2	Electrically actuated 115 V/50 Hz, 120 V/60 Hz, LED+VDR
3	Electrically actuated 230 V/50 Hz, 240 V/60 Hz, LED+VDR
4	Electrically actuated 24 V UC, LED+VDR with 5 m integral cable (AC/DC Universal Current) Complete with rectifier
7	Electrically actuated 24 V UC, LED+VDR with 10 m integral cable (AC/DC Universal Current) Complete with rectifier
N	Ultra Clean design only
T	2 T slots on top Pro Clean design only
Y	2 T slots on right Pro Clean design only
W	2 T slots on bottom Pro Clean design only
V	2 T slots on left Pro Clean design only

12-13-14-15

Stroke (mm) e.g. 0100 = 100 mm	
Optional stroke lengths up to 2800 mm	

19

Piston rod thread ⁷⁾	
N	According to ISO-standard
6	Internal piston rod thread

16

Option	
N	No mounting or used for P1D-T 3 and 4 position cylinders

20

Valve function	
Air actuated (digit 11: 0)	
A	Air-Air, 5/2
B	Air-Spring, 5/2
C	Air-Air, 5/3, closed centre position
D	Air-Air, 5/3, vented centre
E	Air-Air, 5/3, pressurised centre
Electrically actuated internal supply	
F	Elec-Elec, 5/2
H	Elec-Spring, 5/2
K	Spring-Elec*, 5/2
M	Elec-Elec, 5/3, closed centre position
Q	Elec-Elec, 5/3, vented centre
S	Elec-Elec, 5/3, pressurised centre

17-18-19-20

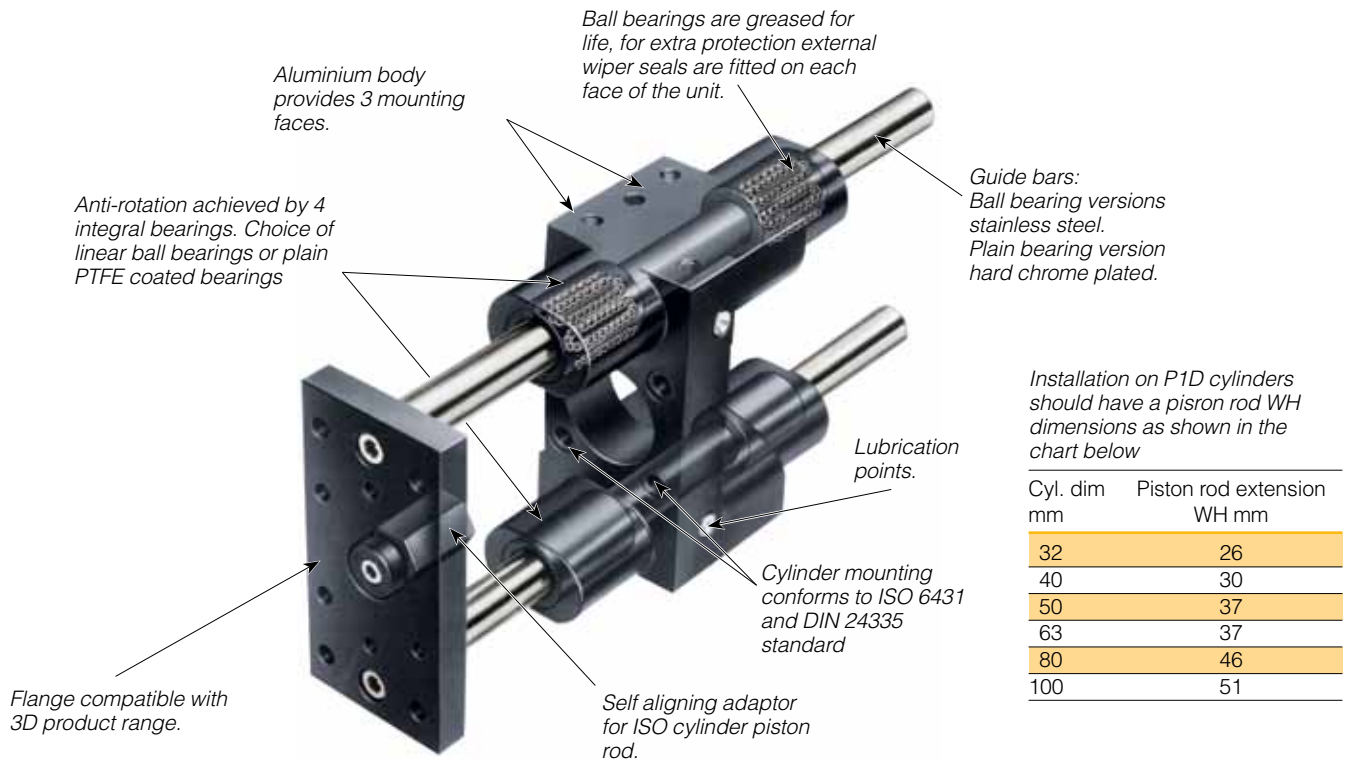
Stroke (mm) e.g. 0100 = 100 mm	
The longest stroke in a P1D-T 3 and 4 position cylinders	

In accordance with digit 16

Information notes

- P1D Ultra Clean without sensor function (No magnet in), P1D-C Pro Clean with sensor function (2 T slots on one face)
- Only for piston rod material type C and R.
- If stainless steel end cover screws are selected, the piston rod nut is also supplied in stainless steel.
- For operation with dry piston rod. Intended for variants P1D-S, P1D-C, P1D-T and P1D-V.
- Shaft or pivots square to or in line with the cylinder air ports.
- Not for the P1D-C Pro Clean version. P1D-C Ultra Clean in bore sizes 32 to 80 mm and strokes up to 700 mm. Longer stroke length on request. Shaft square to 90° with ports only.
- Code N for piston rod thread according to the ISO-standard. Other threads on request.
- Piston in extended position with unactuated valve.

Parker Hannifin Corporation
Pneumatic Division - Europe



Installation on P1D cylinders should have a piston rod WH dimensions as shown in the chart below

Cyl. dim mm	Piston rod extension WH mm
32	26
40	30
50	37
63	37
80	46
100	51

P1D with rod guidance modules

The P1D series cylinders can be equipped with an external guiding device to prevent the piston rod from turning. The factory fitted guide gives a guided piston movement and enables the cylinder to take up turning moments on the piston rod, as well as greater transverse forces. The rod guidance is available with plain bearings or linear ball bearings and with H or U style. The bracket, which has pre-drilled mounting holes, is connected to the piston rod by means of a flexo coupling, which prevents the build-up of stresses in the cylinder. Guidance modules are available for bores from 32 to 100 mm, and standard stroke lengths from 25 to 250 mm. Special stroke lengths up to 500 mm can also be obtained.

Technical data

Load See diagram on next page
 Working temperature -20 °C to +80 °C

Material specifications

Body Anodised aluminium
 Guide bars, H style Stainless steel for ball bearing chrome plated for plain bearing
 Front plate Anodised aluminium
 Guide bars, U style Stainless steel
 Front plate Zinc-plated steel
 Bearings Plain bearings
 Linear ball bearings

Order code key for rod guidance modules

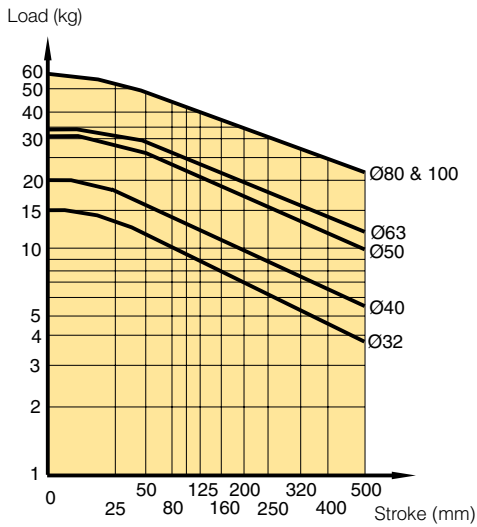
P1E - 4KRH - 0100

Cylinder version	Bore size mm	Guide module type	Stroke length (mm)
E ISO cylinders	K 32	H H style, ball bearings	Same as for the cylinder e.g. 0100 = 100 mm.
	L 40	J H style, plain bearings	
	M 50	K U style, plain bearings	
	N 63		
	P 80		
	Q 100		

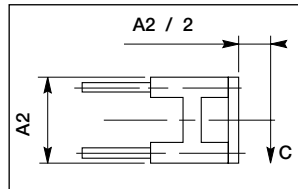
Technical information 'H style'

Rod guide with ball bearings

Maximum load carried

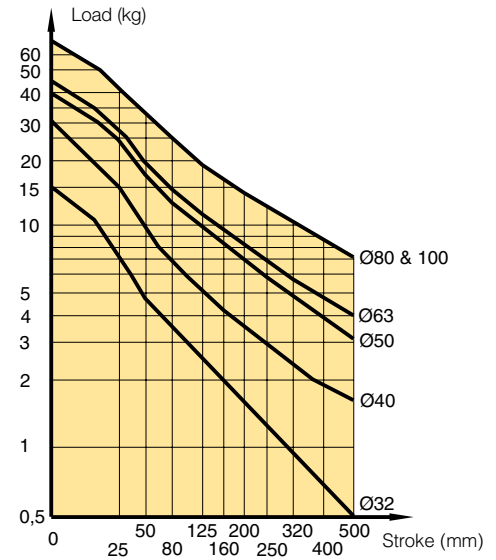


Graphs established at mid point of stroke

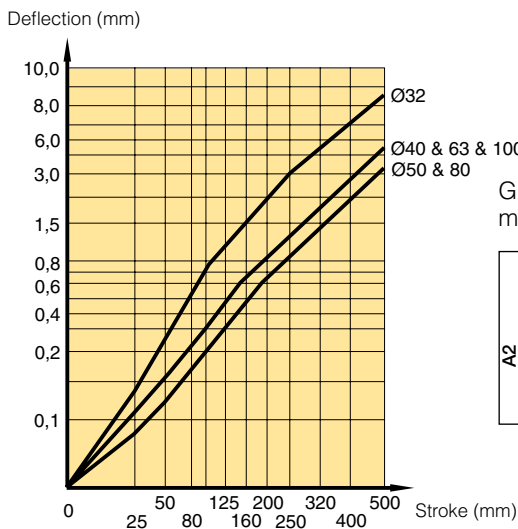


Rod guide with plain bearings

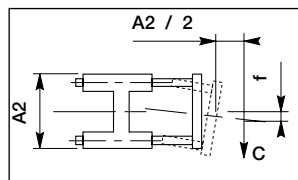
Maximum load carried



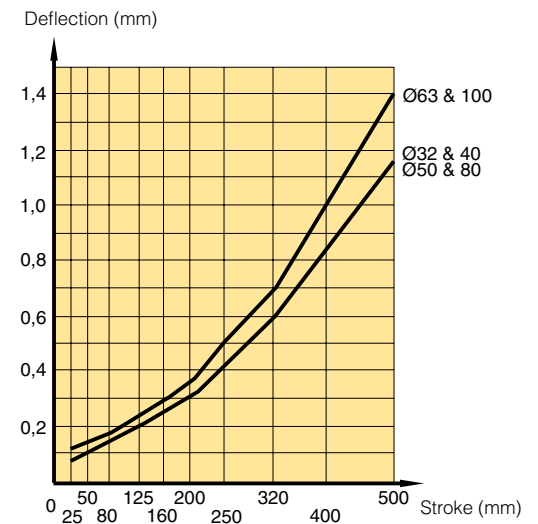
Maximum deflection/max load



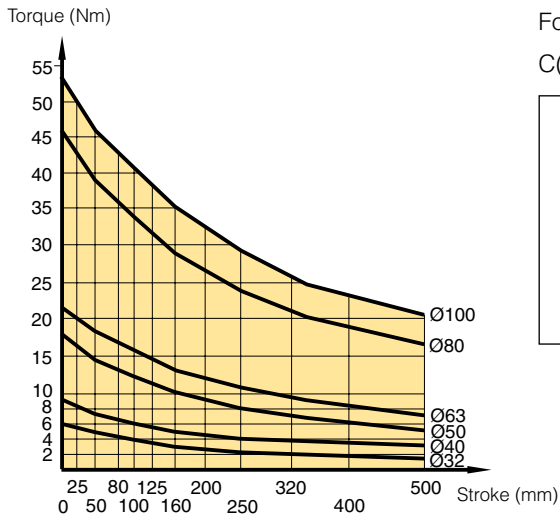
Graphs established at mid point of stroke



Maximum deflection/max load

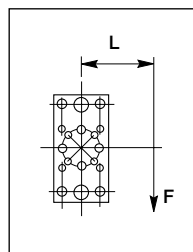


Maximum permissible torque (Nm)

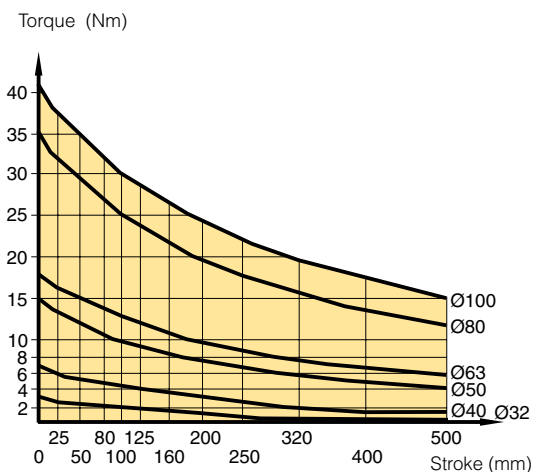


Formula:

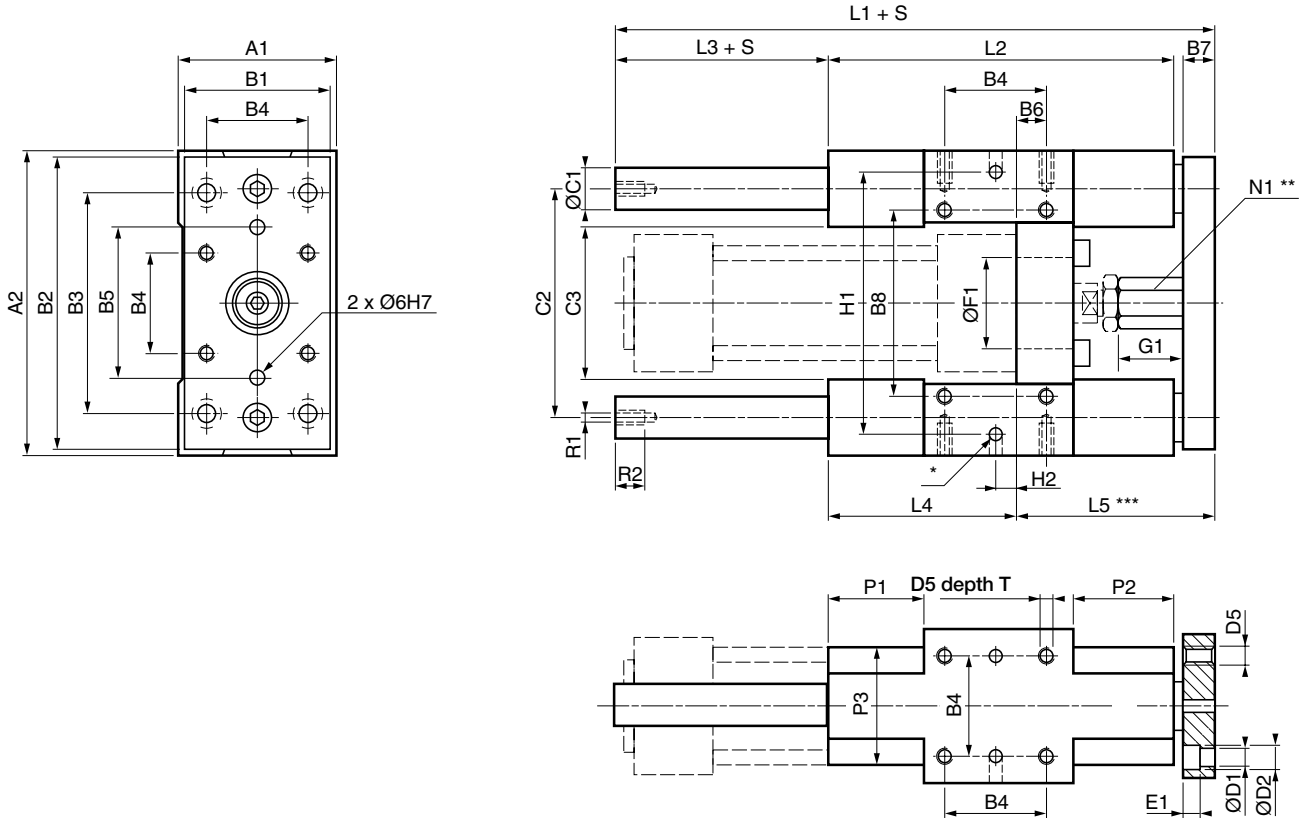
$$C(\text{Nm}) = F(\text{N}) \times L(\text{m})$$



Maximum permissible torque (Nm)



H style guidance modules



Dimensions (mm)

Cyl. bore mm	A ₁ mm	A ₂ mm	B ₁ mm	B ₂ mm	B ₃ mm	B ₄ mm	B ₅ mm	B ₆ mm	B ₇ mm	B ₈ mm	ØC ₁ mm	C ₂ mm	C ₃ mm	ØD ₁ mm	ØD ₂ mm	D ₅
32	50	97	45	90	78	32,5	50	4,2	12	61	12	73,5	50	6,6	11	M6
40	58	115	54	110	84	38,0	54	11,0	12	69	16	86,5	58	6,6	11	M6
50	70	137	63	130	100	46,5	72	18,8	15	85	20	103,5	70	8,4	15	M8
63	85	152	80	145	105	56,5	82	15,0	15	100	20	118,5	83	8,4	15	M8
80	105	189	100	180	130	72,0	106	21,0	20	130	25	147,0	102	10,5	18	M10
100	130	213	120	200	150	89,0	131	24,5	20	150	25	171,5	125	10,5	18	M10

Cyl. bore mm	E ₁ mm	Ø F ₁ ^{+0,1/0} mm	G ₁ mm	L ₁ mm	L ₂ mm	L ₃ mm	L ₄ mm	L ₅ mm	N ₁ mm	P ₁ ^{±1} mm	P ₂ ^{±1} mm	P ₃ mm	R ₁ mm	R ₂ mm	W mm
32	7	30	17	150	120	15	71	64	17	36	31	40	M6	11	5
40	7	35	24	170	130	25	71	74	17	36	36	44	M6	11	6
50	9	40	27	197	150	24	79	89	24	42	44	50	M8	16	8
63	9	45	27	222	180	24	109	89	24	58	44	60	M8	16	8
80	11	45	32	247	200	24	113	110	30	50	52	70	M10	16	10
100	11	55	32	267	220	24	128	115	30	49	51	70	M10	16	10

Cyl. bore mm	H ₁ ^{±0,05} mm	H ₂ mm	T mm	Weight at 0 mm stroke kg	Supplement weight per 10 mm stroke kg
32	81	11,7	12	0,970	0,018
40	99	8,0	12	1,550	0,032
50	119	4,2	16	2,560	0,050
63	132	13,0	16	3,570	0,050
80	166	15,0	20	6,530	0,078
100	190	20,5	20	8,760	0,078

S = Stroke length

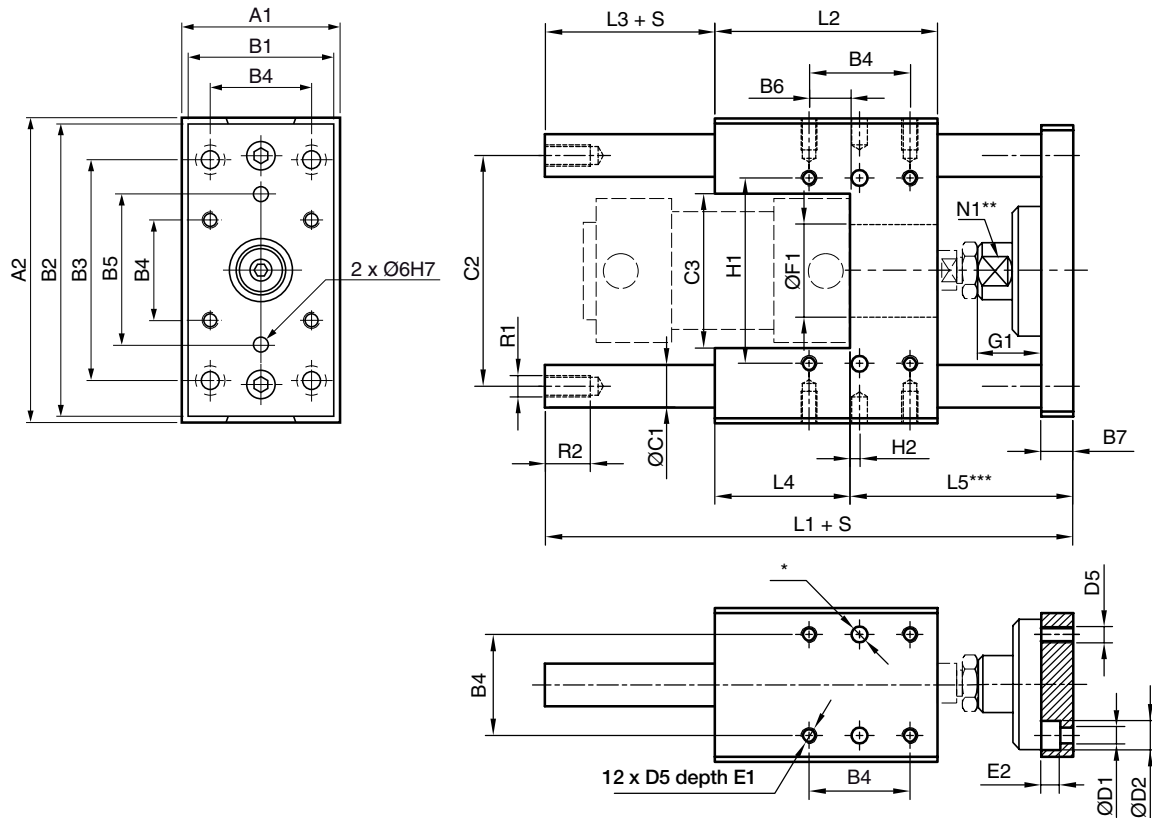
* 6 hole Ø6^{H7}, depth 10^{+1/0}

** Hexagon profile

*** Min adjustment=0, max.=W



U style guidance modules



Dimensions (mm)

Cyl. bore. mm	A ₁ mm	A ₂ mm	B ₁ mm	B ₂ mm	B ₃ mm	B ₄ mm	B ₅ mm	B ₆ mm	B ₇ mm	C ₁ mm	C ₂ mm	C ₃ mm	D ₁ mm	D ₂ mm	D ₅
32	50	97	45	90	78	32,5	50	18,0	12	12	74	50	6,6	11	M6
40	58	115	54	110	84	38,0	54	15,5	12	16	87	58	6,6	11	M6
50	70	137	63	130	100	46,5	72	19,5	15	20	104	70	9,0	15	M8
63	85	152	80	145	105	56,5	82	29,5	15	20	119	85	9,0	15	M8
80	105	189	100	180	130	72,0	106	39,0	20	25	148	105	11,0	18	M10
100	130	213	120	200	150	89,0	131	53,5	20	25	172	130	11,0	18	M10

Cyl. bore. mm	E ₁ mm	E ₂ mm	Ø F ₁ ^{+0,1/0} mm	G ₁	L ₁ mm	L ₂ mm	L ₃ mm	L ₄ mm	L ₅ mm	N ₁ mm	R ₁ mm	R ₂	H ₁ ^{±0,05} mm	H ₂ mm	W ^{***} mm
32	10	6,5	30	30	133	72	14	44	75	13	M6	11	61	1,75	5
40	10	6,5	35	36	149	84	12	51	86	15	M8	12	69	3,50	5
50	13	9,0	40	42	175	100	12	60	103	22	M8	12	85	3,75	5
63	13	9,0	45	42	190	115	12	75	103	22	M8	12	100	1,25	5
80	16	11,0	45	49	238	162	0	112	126	27	M10	16	130	3,00	6
100	16	11,0	55	49	249	167	6	112	131	27	M10	16	150	8,50	6

Cyl. bore mm	Weight at 0 mm stroke kg	Supplement weight per 10 mm stroke kg
32	0,970	0,018
40	1,550	0,315
50	2,560	0,493
63	3,570	0,493
80	6,530	0,770
100	8,760	0,770

S = Stroke length

* 6 hole Ø6 H7, depth 10^{+1/0}

** Width of jaw

*** Min adjustment=0, max.=W



Flange MF1/MF2 ¹



Foot brackets MS1 ²



Pivot bracket with rigid bearing AB7 ³



Swivel eye ⁴ bracket MP6



Clevis bracket MP2 ⁵



Ø 32	P1C-4KMB	P1C-4KMF	P1C-4KMD	P1C-4KMSA	P1C-4KMT
Ø 40	P1C-4LMB	P1C-4LMF	P1C-4LMD	P1C-4LMSA	P1C-4LMT
Ø 50	P1C-4MMB	P1C-4MMF	P1C-4MMD	P1C-4MMSA	P1C-4MMT
Ø 63	P1C-4NMB	P1C-4NMF	P1C-4NMD	P1C-4NMSA	P1C-4NMT
Ø 80	P1C-4PMB	P1C-4PMF	P1C-4PMD	P1C-4PMSA	P1C-4PMT
Ø 100	P1C-4QMB	P1C-4QMF	P1C-4QMD	P1C-4QMSA	P1C-4QMT
Ø 125	P1C-4RMB	P1C-4RMF	P1C-4RMD	P1C-4RMSA	P1C-4RMT

Clevis bracket MP4 ⁶



Clevis bracket AB6 ⁷



Pivot bracket with swivel bearing CS7 ⁸



3 and 4 positions flange JP1



Pivot brackets AT4 ¹⁰ for MT* trunnion



Ø 32	P1C-4KME	P1C-4KMCA	P1C-4KMA	P1E-6KB0	9301054261
Ø 40	P1C-4LME	P1C-4LMCA	P1C-4LMA	P1E-6LB0	9301054262
Ø 50	P1C-4MME	P1C-4MMCA	P1C-4MMA	P1E-6MB0	9301054262
Ø 63	P1C-4NME	P1C-4NMCA	P1C-4NMA	P1E-6NB0	9301054264
Ø 80	P1C-4PME	P1C-4PMCA	P1C-4PMA	P1E-6PB0	9301054264
Ø 100	P1C-4QME	P1C-4QMCA	P1C-4QMA	P1E-6QB0	9301054266
Ø 125	P1C-4RME	P1C-4RMCA	P1C-4RMA	P1E-6QB0	9301054266

Flange trunnion ¹¹ MT5/MT6



Centre trunnion MT4 ¹²



Swivel rod eye AP6 ¹³



Clevis AP2 ¹⁴



Flexo coupling PM5 ¹⁵

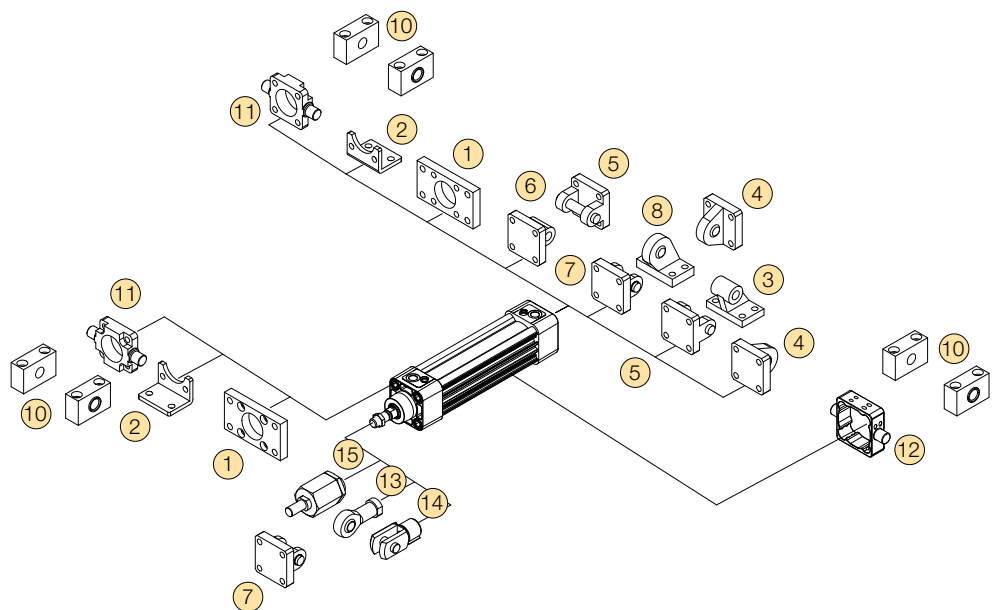


Ø 32	P1D-4KMYF	Factory fitted	P1C-4KRS	P1C-4KRC	P1C-4KRF
Ø 40	P1D-4LMYF	Factory fitted	P1C-4LRS	P1C-4LRC	P1C-4LRF
Ø 50	P1D-4MMYF	Factory fitted	P1C-4MRS	P1C-4MRC	P1C-4MRF
Ø 63	P1D-4NMYF	Factory fitted	P1C-4MRS	P1C-4MRC	P1C-4MRF
Ø 80	P1D-4PMYF	Factory fitted	P1C-4PRS	P1C-4PRC	P1C-4PRF
Ø 100	P1D-4QMYF	Factory fitted	P1C-4PRS	P1C-4PRC	P1C-4PRF
Ø 125	P1D-4QMYF	Factory fitted	P1C-4RRS	P1C-4RRC	P1C-4RRF

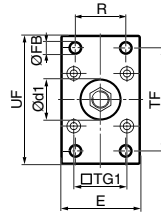
Zinc-plated steel nut MR9 (pack of 10)



Ø 32	P14-4KRPZ
Ø 40	P14-4LRPZ
Ø 50	P14-4MRPZ
Ø 63	P14-4MRPZ
Ø 80	P14-4PRPZ
Ø 100	P14-4PRPZ
Ø 125	P14-4RRPZ

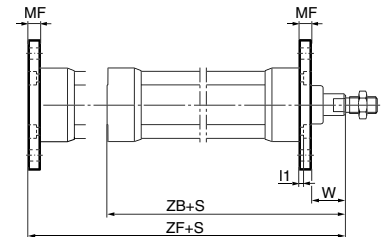


Type	Description	For mounting screws in stainless steel see page 52	Cyl. bore Ø mm	Weight kg	Order code
Flange MF1/MF2	Intended for fixed mounting of cylinder. Flange can be fitted to front or rear end cover of cylinder.	Materials Flange: Surface-treated steel Mounting screws acc. to DIN 6912: Zinc-plated steel 8.8	32	0,23	P1C-4KMB
			40	0,28	P1C-4LMB
			50	0,53	P1C-4MMB
			63	0,71	P1C-4NMB
			80	1,59	P1C-4PMB
			100	2,19	P1C-4QMB
			125	3,78	P1C-4RMB



Cyl. bore mm	d1 H11 mm	FB H13 mm	TG1 mm	E mm	R JS14 mm	MF JS14 mm	TF JS14 mm	UF mm	I1 mm	W* mm	ZF* mm	ZB* mm
32	30	7	32,5	45	32	10	64	80	5,0	16	130	123,5
40	35	9	38,0	52	36	10	72	90	5,0	20	145	138,5
50	40	9	46,5	65	45	12	90	110	6,5	25	155	146,5
63	45	9	56,5	75	50	12	100	120	6,5	25	170	161,5
80	45	12	72,0	95	63	16	126	150	8,0	30	190	177,5
100	55	14	89,0	115	75	16	150	170	8,0	35	205	192,5
125	60	16	110,0	140	90	20	180	205	10,5	45	245	230,5

S = Stroke length * Does not apply to cylinders with lock unit



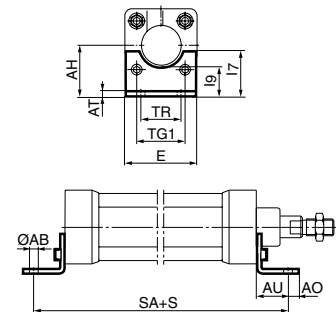
Foot brackets MS1	Intended for fixed mounting of cylinder. Foot bracket can be fitted to front and rear end covers of cylinder.	Materials Foot bracket: Surface-treated steel Mounting screws acc. to DIN 912: Zinc-plated steel 8.8	Supplied in pairs with mounting screws for attachment to cylinder.	32	0,06**	P1C-4KMF
				40	0,08**	P1C-4LMF
				50	0,16**	P1C-4MMF
				63	0,25**	P1C-4NMF
				80	0,50**	P1C-4PMF
				100	0,85**	P1C-4QMF
			125	1,48**	P1C-4RMF	

** Weight per item



Cyl. bore mm	AB H14 mm	TG1 mm	E mm	TR JS14 mm	AO mm	AU mm	AH JS15 mm	I7 mm	AT mm	I9 JS14 mm	SA* mm
32	7	32,5	45	32	10	24	32	30	4,5	17,0	142
40	9	38,0	52	36	8	28	36	30	4,5	18,5	161
50	9	46,5	65	45	13	32	45	36	5,5	25,0	170
63	9	56,5	75	50	13	32	50	35	5,5	27,5	185
80	12	72,0	95	63	14	41	63	49	6,5	40,5	210
100	14	89,0	115	75	15	41	71	54	6,5	43,5	220
125	16	110,0	140	90	22	45	90	71	8,0	60,0	250

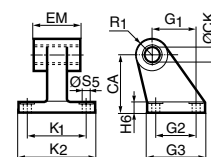
S = Stroke length * Does not apply to cylinders with lock unit




Pivot bracket with rigid bearing AB7	Intended for flexible mounting of cylinder. The pivot bracket can be combined with clevis bracket MP2.	Materials Pivot bracket: Surface-treated aluminium, black Bearing: Sintered oil-bronze bushing	32	0,06	P1C-4KMD
			40	0,08	P1C-4LMD
			50	0,15	P1C-4MMD
			63	0,20	P1C-4NMD
			80	0,33	P1C-4PMD
			100	0,49	P1C-4QMD
			125	1,02	P1C-4RMD



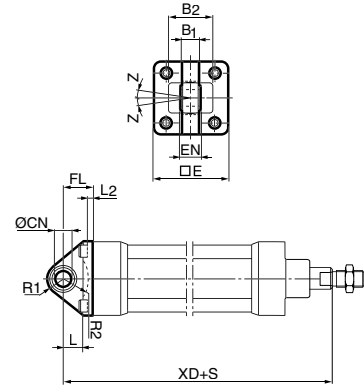
Cyl. bore mm	CK H9 mm	S5 H13 mm	K1 JS14 mm	K2 mm	G1 JS14 mm	G2 JS14 mm	EM mm	G3 mm	CA JS15 mm	H6 mm	R1 mm
32	10	6,6	38	51	21	18	25,5	31	32	8	10,0
40	12	6,6	41	54	24	22	27,0	35	36	10	11,0
50	12	9,0	50	65	33	30	31,0	45	45	12	13,0
63	16	9,0	52	67	37	35	39,0	50	50	12	15,0
80	16	11,0	66	86	47	40	49,0	60	63	14	15,0
100	20	11,0	76	96	55	50	59,0	70	71	15	19,0
125	25	14,0	94	124	70	60	69,0	90	90	20	22,5




Type	Description	For mounting screws in stainless steel see page 52	Cyl. bore Ø mm	Weight kg	Order code
Swivel eye bracket MP6 	Intended for use together with clevis bracket GA Material Bracket: Surface-treated aluminium, black Swivel bearing acc. to DIN 648K: Hardened steel Supplied complete with mounting screws for attachment to cylinder.		32	0,08	P1C-4KMSA
			40	0,11	P1C-4LMSA
			50	0,20	P1C-4MMSA
			63	0,27	P1C-4NMSA
			80	0,52	P1C-4PMSA
			100	0,72	P1C-4QMSA
			125	1,53	P1C-4RMSA

Cyl. bore mm	E	B1	B2	EN	R1	R2	FL	I2	L	CN	XD*	Z
mm	mm	mm	mm	mm	mm	mm	mm	mm	mm	H7	mm	mm
32	45	10,5	-	14	16	-	22	5,5	12	10	142	4°
40	52	12,0	-	16	18	-	25	5,5	15	12	160	4°
50	65	15,0	51	21	21	19	27	6,5	15	16	170	4°
63	75	15,0	-	21	23	-	32	6,5	20	16	190	4°
80	95	18,0	-	25	29	-	36	10,0	20	20	210	4°
100	115	18,0	-	25	31	-	41	10,0	25	20	230	4°
125	140	25,0	-	37	40	-	50	10,0	30	30	275	4°

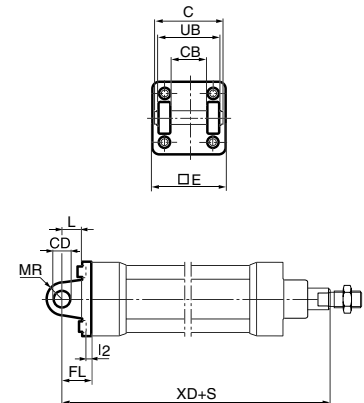
S = Stroke length * Does not apply to cylinders with lock unit




Type	Description	Materials	Cyl. bore Ø mm	Weight kg	Order code
Clevis bracket MP2 	Intended for flexible mounting of cylinder. Clevis bracket MP2 can be combined with clevis bracket MP4. Clevis bracket: Surface-treated aluminium, black Pin: Surface hardened steel Circlips according to DIN 471: Spring steel Mounting screws acc. to DIN 912: Zinc-plated steel 8.8 Supplied complete with mounting screws for attachment to cylinder.		32	0,08	P1C-4KMT
			40	0,11	P1C-4LMT
			50	0,14	P1C-4MMT
			63	0,29	P1C-4NMT
			80	0,36	P1C-4PMT
			100	0,64	P1C-4QMT
			125	1,17	P1C-4RMT

Cyl. bore mm	C	E	UB	CB	FL	L	I2	CD	MR	XD*
mm	mm	mm	h14 mm	H14 mm	±0,2 mm	mm	mm	H9 mm	mm	mm
32	53	45	45	26	22	13	5,5	10	10	142
40	60	52	52	28	25	16	5,5	12	12	160
50	68	65	60	32	27	16	6,5	12	12	170
63	78	75	70	40	32	21	6,5	16	16	190
80	98	95	90	50	36	22	10,0	16	16	210
100	118	115	110	60	41	27	10,0	20	20	230
125	139	140	130	70	50	30	10,0	25	25	275

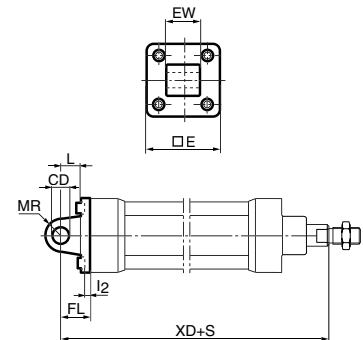
S = Stroke length * Does not apply to cylinders with lock unit




Type	Description	For mounting screws in stainless steel see page 52	Cyl. bore Ø mm	Weight kg	Order code
Clevis bracket MP4 	Intended for flexible mounting of cylinder. Clevis bracket MP4 can be combined with clevis bracket MP2. Materials Clevis bracket: Surface-treated aluminium, black Mounting screws acc. to DIN 912: Zinc-plated steel 8.8 Supplied complete with mounting screws for attachment to cylinder.		32	0,09	P1C-4KME
			40	0,13	P1C-4LME
			50	0,17	P1C-4MME
			63	0,36	P1C-4NME
			80	0,46	P1C-4PME
			100	0,83	P1C-4QME
			125	1,53	P1C-4RME

Cyl. bore mm	E mm	EW mm	FL mm	L ±0,2 mm	I2 mm	CD mm	MR H9 mm	XD* mm
32	45	26	22	13	5,5	10	10	142
40	52	28	25	16	5,5	12	12	160
50	65	32	27	16	6,5	12	12	170
63	75	40	32	21	6,5	16	16	190
80	95	50	36	22	10,0	16	16	210
100	115	60	41	27	10,0	20	20	230
125	140	70	50	30	10,0	25	25	275

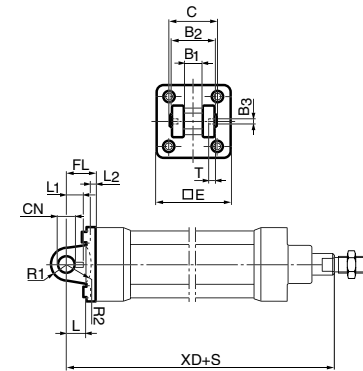
S = Stroke length * Does not apply to cylinders with lock unit




Type	Description	For mounting screws in stainless steel see page 52	Cyl. bore Ø mm	Weight kg	Order code
Clevis bracket AB6 	Intended for flexible mounting of cylinder. Clevis bracket GA can be combined with pivot bracket with swivel bearing, swivel eye bracket and swivel rod eye. Materials Clevis bracket: Surface-treated aluminium Pin: Surface hardened steel Locking pin: Spring steel Circlips according to DIN 471: Spring steel Mounting screws acc. to DIN 912: Zinc-plated steel 8.8 Supplied complete with mounting screws for attachment to cylinder.		32	0,09	P1C-4KMCA
			40	0,13	P1C-4LMCA
			50	0,17	P1C-4MMCA
			63	0,36	P1C-4NMCA
			80	0,58	P1C-4PMCA
			100	0,89	P1C-4QMCA
			125	1,75	P1C-4RMCA

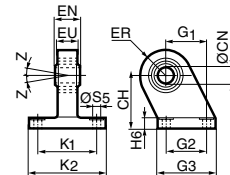
Cyl. bore mm	C mm	E mm	B2 d12 mm	B1 H14 mm	T mm	B3 mm	R2 mm	L1 mm	FL ±0,2 mm	I2 mm	L mm	CN F7 mm	R1 mm	XD* mm
32	41	45	34	14	3	3,3	17	11,5	22	5,5	12	10	11	142
40	48	52	40	16	4	4,3	20	12,0	25	5,5	15	12	13	160
50	54	65	45	21	4	4,3	22	14,0	27	6,5	17	16	18	170
63	60	75	51	21	4	4,3	25	14,0	32	6,5	20	16	18	190
80	75	95	65	25	4	4,3	30	16,0	36	10,0	20	20	22	210
100	85	115	75	25	4	4,3	32	16,0	41	10,0	25	20	22	230
125	110	140	97	37	6	6,3	42	24,0	50	10,0	30	30	30	275


S = Stroke length * Does not apply to cylinders with lock unit



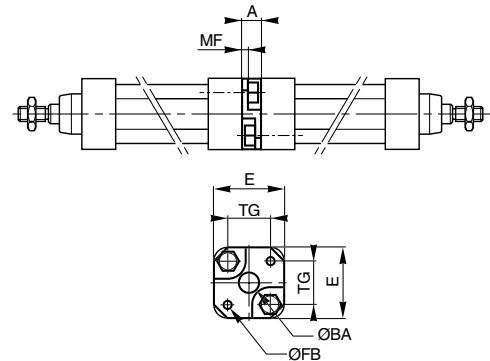
Type	Description	For mounting screws in stainless steel see page 52	Cyl. bore Ø mm	Weight kg	Order code
Pivot bracket with swivel bearing CS7 	Intended for use together with clevis bracket GA. Material Pivot bracket: Surface-treated steel, black Swivel bearing acc. to DIN 648K: Hardened steel		32	0,18	P1C-4KMA
			40	0,25	P1C-4LMA
			50	0,47	P1C-4MMA
			63	0,57	P1C-4NMA
			80	1,05	P1C-4PMA
			100	1,42	P1C-4QMA
	125	3,10	P1C-4RMA		

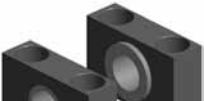
Cyl. bore mm	CN H7 mm	S5 H13 mm	K1 JS14 mm	K2 mm	EU mm	G1 JS14 mm	G2 JS14 mm	EN mm	G3 mm	CH JS15 mm	H6 mm	ER mm	Z mm
32	10	6,6	38	51	10,5	21	18	14	31	32	10	16	4°
40	12	6,6	41	54	12,0	24	22	16	35	36	10	18	4°
50	16	9,0	50	65	15,0	33	30	21	45	45	12	21	4°
63	16	9,0	52	67	15,0	37	35	21	50	50	12	23	4°
80	20	11,0	66	86	18,0	47	40	25	60	63	14	28	4°
100	20	11,0	76	96	18,0	55	50	25	70	71	15	30	4°
125	30	14,0	94	124	25,0	70	60	37	90	90	20	40	4°



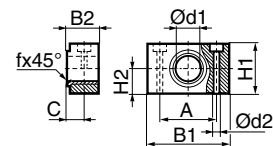
Type	Description	Material:	Mounting:	Mounting screws:	Cyl. bore mm	Weight kg	Order code
3 and 4 positions flange JP1 	Mounting kit for back to back mounted cylinders, 3 and 4 position cylinders. Mounting: Aluminium Mounting screws: Zinc-plated steel 8.8				32	0,060	P1E-6KB0
			40	0,078	P1E-6LB0		
			50	0,162	P1E-6MB0		
			63	0,194	P1E-6NB0		
			80	0,450	P1E-6PB0		
			100	0,672	P1E-6QB0		

Cyl. bore mm	E mm	TG mm	ØFB mm	MF mm	A mm	ØBA mm
32	50	32,5	6,5	5	16	30
40	60	38,0	6,5	5	16	35
50	66	46,5	8,5	6	20	40
63	80	56,5	8,5	6	20	45
80	100	72,0	10,5	8	25	45
100	118	89,0	10,5	8	25	55




Type	Description	Material	Bearing acc. to	Cyl. bore mm	Weight kg	Order code
Pivot brackets AT4 for MT* trunnion 	Intended for use together with centre trunnion MT4. Pivot bracket: Surface-treated aluminium Bearing acc. to DIN 1850 C: Sintered oil-bronze bushing Supplied in pairs.			32	0,04*	9301054261
			40	0,07*	9301054262	
			50	0,07*	9301054262	
			63	0,12*	9301054264	
			80	0,12*	9301054264	
			100	0,21*	9301054266	
	125	0,21*	9301054266			

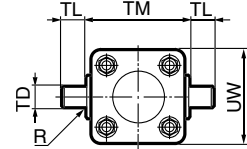
Cyl. bore mm	B1 mm	B2 mm	A mm	C mm	d1 mm	d2 H13 mm	H1 mm	H2 mm	fx45° min mm
32	46	18,0	32	10,5	12	6,6	30	15	1,0
40	55	21,0	36	12,0	16	9,0	36	18	1,6
50	55	21,0	36	12,0	16	9,0	36	18	1,6
63	65	23,0	42	13,0	20	11,0	40	20	1,6
80	65	23,0	42	13,0	20	11,0	40	20	1,6
100	75	28,5	50	16,0	25	14,0	50	25	2,0
125	75	28,5	50	16,0	25	14,0	50	25	2,0



* Weight per item.

Type	Description	For mounting screws in stainless steel see page 52	Cyl. bore Ø mm	Weight kg	Order code
Centre trunnion MT4 	Intended for articulated mounting of cylinder. The trunnion is factory-fitted in the centre of the cylinder or at an optional location specified by the XV-measure – see the order code key. Combined with pivot bracket for MT4. Material: Trunnion P1D-S & P1D-T: zinc plated steel		32	0,13	See order code key
			40	0,31	
			50	0,37	
			63	0,69	
			80	0,89	
			100	1,58	
			125	2,60	

Centre trunnion MT4 for P1D-C Ultra Clean only
Max stroke length 700 mm. Longer stroke length on request
Material:
Trunnion P1D-C: stainless steel

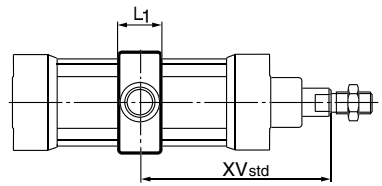


Centre trunnion MT4 for P1D-T

Trunnion centred
The centre trunnion for the P1D-S, P1D-C and P1D-T is ordered with letter D in position 17 (no dimension specified in positions 18-20, letters NNN). See the order code key.

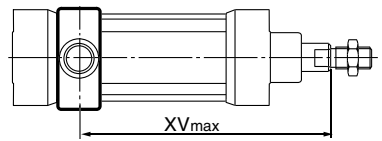
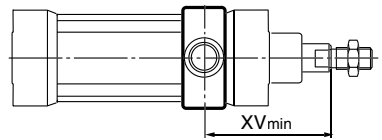


Trunnion with optional location
The centre trunnion for the P1D-S, P1D-C and P1D-T is ordered with a letter in position 17 and desired XV-measure (3-digit measure in mm) in positions 18-20. See the order code key.



Trunnion loose
P1D-S can also be ordered with the centre trunnion loosely fitted to the cylinder (not fixed in position). This allows the position to be established at the time of installation.

Ordered with a letter in position 17 and 000 in positions 18-20. Please refer to the order code key.



$XV_{std} = X1 + \text{Stroke length}/2$
 $XV_{max} = X2 + \text{Stroke length}$

Cyl. bore	TM	TL	TD	R	UW	L1	X1	XV _{min}	X2	UW	L1	XV _{min}	X2	XV _{min}	X2	XV _{min}	X2	Stroke min
mm	mm	mm	mm	mm	mm	mm	mm	mm	mm	mm	mm	mm	mm	mm	mm	mm	mm	mm
32	50	12	12	1,0	52	18	73,0	89	57	46	15	62	84	121	88	69,5	76	0
40	63	16	16	1,6	59	20	82,5	95	70	59	20	73	92	125	99	78,0	87	0
50	75	16	16	1,6	71	20	90,0	113	67	69	20	81	99	140	93	85,5	95	0
63	90	20	20	1,6	84	26	97,5	118	78	84	25	89	106	155	114	103,5	91	15
80	110	20	20	1,6	105	26	110,0	132	88	102	25	98	122	177	132	112,5	107	10
100	132	25	25	2,0	129	32	120,0	140	100	125	30	111	129	197	156	-	-	-
125	160	25	25	2,0	159	33	145,0	168	122	155	32	132	158	224	177	-	-	-

* Trunnion option is not available for the P1D-C Pro Clean version.

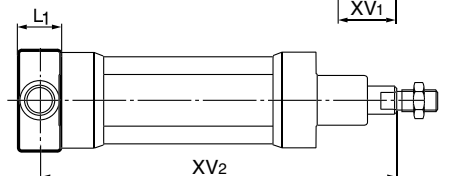
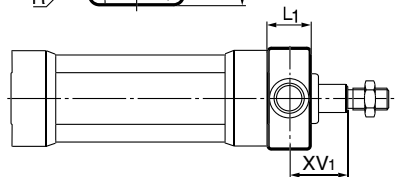
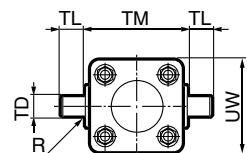
Flange trunnion MT5/MT6

Intended for articulated mounting of cylinder. This trunnion can be flange mounted on the front or rear end cover of all P1D cylinders.



Material:
Trunnion: zinc plated steel
Screws: zinc plated steel, 8.8
Delivered complete with mounting screws for attachment to the cylinder


32	0,17	P1D-4KMYF
40	0,43	P1D-4LMYF
50	0,55	P1D-4MMYF
63	1,10	P1D-4NMYF
80	1,66	P1D-4PMYF
100	3,00	P1D-4QMYF




Cyl. bore	TM	TL	TD	R	UW	L1	XV ₁ *	X*	Y
mm	mm	mm	mm	mm	mm	mm	mm	mm	mm
32	50	12	12	1,0	46	14	19,5	126,5	11
40	63	16	16	1,6	59	19	21,0	144,0	14
50	75	16	16	1,6	69	19	28,0	152,0	20
63	90	20	20	1,6	84	24	25,5	169,5	20
80	110	20	20	1,6	102	24	34,5	185,5	26
100	132	25	25	2,0	125	29	37,0	203,0	31

$XV_2 = X + \text{Stroke length}$ * Does not apply to cylinders with lock unit

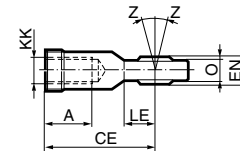
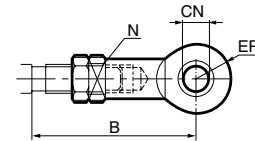
To fit a flange mounted trunnion at the front end cover of a P1D cylinder with lock unit, the piston rod must be extended. This is in order to provide the same WH dimensions as for the P1D base cylinder with dimension Y.


Type	Description	Cyl. bore Ø mm	Weight kg	Order code
Swivel rod eye AP6 	Swivel rod eye for articulated mounting of cylinder. Swivel rod eye can be combined with clevis bracket GA. Maintenance-free. Materials Swivel rod eye: Zinc-plated steel Swivel bearing according to DIN 648K: Hardened steel	32	0,08	P1C-4KRS
		40	0,12	P1C-4LRS
		50	0,25	P1C-4MRS
		63	0,25	P1C-4MRS
		80	0,46	P1C-4PRS
		100	0,46	P1C-4PRS
		125	1,28	P1C-4RRS


Stainless steel swivel rod eye AP6 	Stainless-steel swivel rod eye for articulated mounting of cylinder. Swivel rod eye can be combined with clevis bracket GA. Maintenance-free. Materials Swivel rod eye: Stainless steel Swivel bearing according to DIN 648K: Stainless steel Use stainless steel nut with stainless steel swivel rod eye.	32	0,08	P1S-4JRT
		40	0,12	P1S-4LRT
		50	0,25	P1S-4MRT
		63	0,25	P1S-4MRT
		80	0,46	P1S-4PRT
		100	0,46	P1S-4PRT
		125	1,28	P1S-4RRT

According to ISO 8139

Cyl. bore mm	A mm	B min mm	B max mm	CE mm	CN H9 mm	EN h12 mm	ER mm	KK	LE min mm	N mm	O mm	Z
32	20	48,0	55	43	10	14	14	M10x1,25	15	17	10,5	12°
40	22	56,0	62	50	12	16	16	M12x1,25	17	19	12,0	12°
50	28	72,0	80	64	16	21	21	M16x1,5	22	22	15,0	15°
63	28	72,0	80	64	16	21	21	M16x1,5	22	22	15,0	15°
80	33	87,0	97	77	20	25	25	M20x1,5	26	32	18,0	15°
100	33	87,0	97	77	20	25	25	M20x1,5	26	32	18,0	15°
125	51	123,5	137	110	30	37	35	M27x2	36	41	25,0	15°

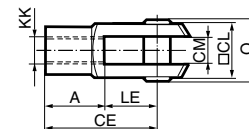
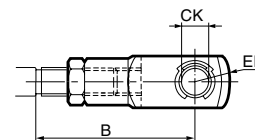


Clevis AP2 	Clevis for articulated mounting of cylinder. Material Clevis, clip: Galvanized steel Pin: Hardened steel	32	0,09	P1C-4KRC
		40	0,15	P1C-4LRC
		50	0,35	P1C-4MRC
		63	0,35	P1C-4MRC
		80	0,75	P1C-4PRC
		100	0,75	P1C-4PRC
		125	2,10	P1C-4RRC

Stainless steel clevis AP2 	Stainless-steel clevis for articulated mounting of cylinder. Material Clevis: Stainless steel Pin: Stainless steel Circlips according to DIN 471: Stainless steel Use stainless steel nut with stainless steel swivel rod eye.	32	0,09	P1S-4JRD
		40	0,15	P1S-4LRD
		50	0,35	P1S-4MRD
		63	0,35	P1S-4MRD
		80	0,75	P1S-4PRD
		100	0,75	P1S-4PRD
		125	2,10	P1S-4RRD

According to ISO 8140

Cyl. bore mm	A mm	B min mm	B max mm	CE mm	CK h11/E9 mm	CL mm	CM mm	ER mm	KK	LE mm	O mm
32	20	45,0	52	40	10	20	10	16	M10x1,25	20	28,0
40	24	54,0	60	48	12	24	12	19	M12x1,25	24	32,0
50	32	72,0	80	64	16	32	16	25	M16x1,5	32	41,5
63	32	72,0	80	64	16	32	16	25	M16x1,5	32	41,5
80	40	90,0	100	80	20	40	20	32	M20x1,5	40	50,0
100	40	90,0	100	80	20	40	20	32	M20x1,5	40	50,0
125	56	123,5	137	110	30	55	30	45	M27x2	54	72,0

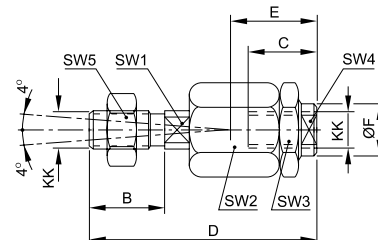



Type	Description	Cyl. bore Ø mm	Weight kg	Order code
Flexo coupling PM5	Flexo coupling for articulated mounting of piston rod. Flexo fitting is intended to take up axial angle errors within a range of ±4°. Material Flexo coupling, nut: Zinc-plated steel	32	0,21	P1C-4KRF
		40	0,22	P1C-4LRF
		50	0,67	P1C-4MRF
		63	0,67	P1C-4MRF
		80	0,72	P1C-4PRF
		100	0,72	P1C-4PRF
		125	1,80	P1C-4RRF





Supplied complete with galvanized adjustment nut.

Cyl. bore mm	KK mm	B mm	C mm	D mm	E mm	ØF mm	SW1 mm	SW2 mm	SW3 mm	SW4 mm	SW5 mm
32	M10x1.25	20	23	73	31	21	12	30	30	19	17
40	M12x1.25	24	23	77	31	21	12	30	30	19	19
50	M16x1.5	32	32	108	45	33.5	19	41	41	30	24
63	M16x1.5	32	32	108	45	33.5	19	41	41	30	24
80	M20x1.5	40	42	122	56	33.5	19	41	41	30	30
100	M20x1.5	40	42	122	56	33.5	19	41	41	30	30
125	M27x2	54	48	147	51	39	24	55	55	32	41



Nut MR9	Intended for fixed mounting of accessories to the piston rod. Material: Zinc-plated steel	Cyl. bore	Weight	Order code
		mm	kg	
	All P1D cylinders are delivered with a zinc-plated steel piston rod nut, except P1D Ultra Clean, which is delivered with a stainless steel piston rod nut instead.	32	0,007	P14-4KRPZ
		40	0,010	P14-4LRPZ
		50	0,021	P14-4MRPZ
		63	0,021	P14-4MRPZ
		80	0,040	P14-4PRPZ
		100	0,040	P14-4PRPZ
		125	0,100	P14-4RRPZ

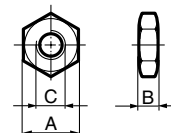
Stainless steel nut MR9	Intended for fixed mounting of accessories to the piston rod. Material: Stainless steel A2	Cyl. bore	Weight	Order code
		mm	kg	
	All P1D cylinders are delivered with a zinc-plated steel piston rod nut, except P1D Ultra Clean, which is delivered with a stainless steel piston rod nut instead.	32	0,007	P14-4KRPS
		40	0,010	P14-4LRPS
		50	0,021	P14-4MRPS
		63	0,021	P14-4MRPS
		80	0,040	P14-4PRPS
		100	0,040	P14-4PRPS
		125	0,100	P14-4RRPS


Acid-proof nut MR9	Intended for fixed mounting of accessories to the piston rod. Material: Acid-proof steel A4	Cyl. bore	Weight	Order code
		mm	kg	
	Cylinders with acid-proof piston rod are supplied with nut of acid-proof steel	32	0,007	P14-4KRPX
		40	0,010	P14-4LRPX
		50	0,021	P14-4MRPX
		63	0,021	P14-4MRPX
		80	0,040	P14-4PRPX
		100	0,040	P14-4PRPX
		125	0,100	P14-4RRPX


According to DIN 439 B


Cyl. bore mm	A mm	B mm	C
32	17	5,0	M10x1,25
40	19	6,0	M12x1,25
50	24	8,0	M16x1,5
63	24	8,0	M16x1,5
80	30	10,0	M20x1,5
100	30	10,0	M20x1,5
125	41	13,5	M27x2

Supplied as pack of 10 off
Weight per item



Type	Description	Cyl. bore Ø mm	Weight kg	Order code
Stainless steel screw set for MP2, MP4, MS1 and AB6 	Set of stainless steel screws for fitting clevis brackets MP2, MP4 and GA onto the cylinder. The screws have an internal hexagonal head and are used in special environments, e.g. the food industry, or where there are extra demands for protection against corrosion. Material: According to DIN 912, Stainless steel, A2 4 pcs per pack.	32	0,02	9301054321
		40	0,02	9301054321
		50	0,05	9301054322
		63	0,05	9301054322
		80	0,09	9301054323
		100	0,09	9301054323
		125	0,15	9301054324

Stainless steel screw set for MF1/MF2 	Set of stainless steel screws for fitting flanges MF1/MF2 onto the cylinder. The screws have an internal hexagonal head and are used in special environments, e.g. the food industry, or where there are extra demands for protection against corrosion. Material: According to DIN 6912, Stainless steel, A2 4 pcs per pack	32	0,02	9301054331
		40	0,02	9301054331
		50	0,04	9301054332
		63	0,04	9301054332
		80	0,07	9301054333
		100	0,07	9301054333
		125	0,12	9301054334

Sealing plugs for end cover screws 	Set of 4 threaded plugs to be fitted in unused end cover screws. A rubber gasket is supplied with every plug. The seal off function is equal to IP67. The plugs can be used for all P1D cylinders to avoid collecting dirt and fluids in the end cover screw recesses. Material: Plug Polyamid PA Gasket Nitrile rubber 4 pcs per pack	32	0,01	460104801
		40	0,01	460104801
		50	0,02	460104802
		63	0,02	460104802
		80	0,02	460104803
		100	0,02	460104803
		125	0,03	460104804

Stainless steel pin AA6 set for AB6 mounting

Materials

Pin: stainless steel
 Locking pin: stainless steel
 Circlips according to DIN 471: stainless steel

Cyl. Bore Ø mm	Weight kg	Order code
32	0.05	9301054311
40	0.06	9301054312
50	0.07	9301054313
63	0.07	9301054314
80	0.17	9301054315
100	0.31	9301054316
125	0.54	9301054317

Stainless steel pin AA4 set for MP2 mounting

Materials

Pin: stainless steel
 Locking pin: stainless steel
 Circlips according to DIN 471: stainless steel

Cyl. Bore Ø mm	Weight kg	Order code
32	0.07	on request
40	0.08	on request
50	0.09	on request
63	0.09	on request
80	0.19	on request
100	0.33	on request
125	0.56	on request

Drop-in sensors

The P1D sensors can easily be installed from the side in the sensor groove, at any position along the piston stroke. The sensors are completely recessed and thus mechanically protected. Choose between electronic or reed sensors and several cable lengths and 8 mm and M12 connectors. The same standard sensors are used for all P1D versions.



Electronic sensors

The electronic sensors are "Solid State", i.e. they have no moving parts at all. They are provided with short-circuit protection and transient protection as standard. The built-in electronics make the sensors suitable for applications with high on and off switching frequency, and where very long service life is required.

Technical data

Design	GMR (Giant Magnetic Resistance) magneto-resistive function
Installation	From side, down into the sensor groove, so-called drop-in
Outputs	PNP, normally open (also available in NPN design, normally closed, on request)
Voltage range	10-30 VDC 10-18 V DC, ATEX sensor
Ripple	max 10%
Voltage drop	max 2,5 V
Load current	max 100 mA
Internal consumption	max 10 mA
Actuating distance	min 9 mm
Hysteresis	max 1,5 mm
Repeatability accuracy	max 0,2 mm
On/off switching frequency	max 5 kHz
On switching time	max 2 ms
Off switching time	max 2 ms
Encapsulation	IP 67 (EN 60529)
Temperature range	-25 °C to +75 °C -20 °C to +45 °C, ATEX sensor
Indication	LED, yellow
Material housing	PA 12
Material screw	Stainless steel
Cable	PVC or PUR 3x0.25 mm ² see order code respectively

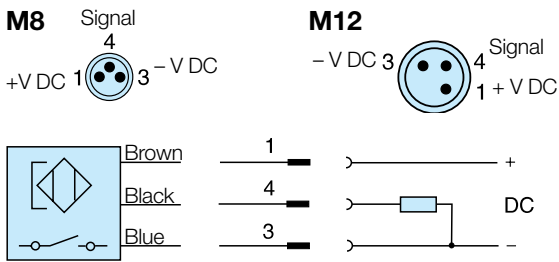
Reed sensors

The sensors are based on proven reed switches, which offer reliable function in many applications. Simple installation, a protected position on the cylinder and clear LED indication are important advantages of this range of sensors.

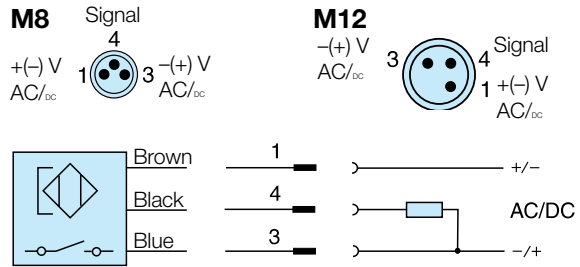
Technical data

Design	Reed element
Mounting	From side, down into the sensor groove, so-called drop-in
Output	Normally open , or normally closed
Voltage range	10-30 V AC/DC or 10-120 V AC/DC 24-230 V AC/DC
Load current	max 500 mA for 10-30 V or max 100 mA for 10-120 V max 30 mA for 24-230 V
Breaking power (resistive)	max 6 W/VA
Actuating distance	min 9 mm
Hysteresis	max 1,5 mm
Repeatability accuracy	0,2 mm
On/off switching frequency	max 400 Hz
On switching time	max 1,5 ms
Off switching time	max 0,5 ms
Encapsulation	IP 67 (EN 60529)
Temperature range	-25 °C to +75 °C
Indication	LED, yellow
Material housing	PA12
Material screw	Stainless steel
Cable	PVC or PUR 3x0.14 mm ² see order code respectively

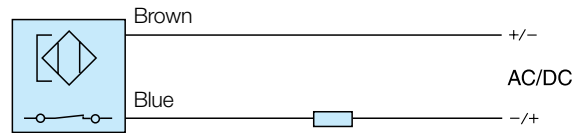
Electronic sensors



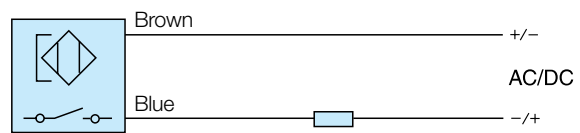
Reed sensors



P8S-GCFPX

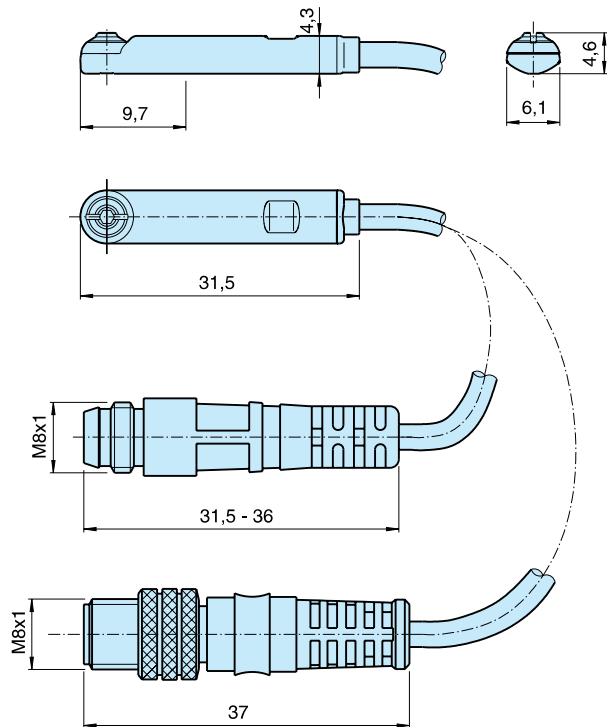


P8S-GRFLX / P8S-GRFLX2

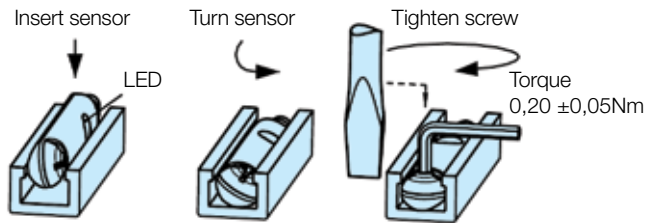


Dimensions (mm)

Sensors



Sensor Installation



Ordering data

Output/function	Cable/connector	Weight kg	Order code
Electronic sensors , 10-30 V DC			
PNP type, normally open	0,27 m PUR-cable and 8 mm snap-in male connector	0,007	P8S-GPSHX
PNP type, normally open	0,27 m PUR-cable and M12 screw male connector	0,015	P8S-GPMHX
PNP type, normally open	3 m PVC-cable without connector	0,030	P8S-GPFLX
PNP type, normally open	10 m PVC-cable without connector	0,110	P8S-GPFTX
Reed sensors , 10-30 V AC/DC			
Normally open	0,27 m PUR-cable and 8 mm snap-in male connector	0,007	P8S-GSSHX
Normally open	0,27 m PUR-cable and M12 screw male connector	0,015	P8S-GSMHX
Normally open	3 m PVC-cable without connector	0,030	P8S-GSFLX
Normally open	10 m PVC-cable without connector	0,110	P8S-GSFTX
Normally closed	5m PVC-cable without connector ²⁾	0,050	P8S-GCFPX
Reed sensors, 10-120 V AC/DC			
Normally open	3 m PVC-cable without connector	0,030	P8S-GRFLX
Reed sensorer, 24-230 V AC/DC			
Normally open	3 m PVC-cable without connector	0,030	P8S-GRFLX2

2) Without LED

Adapter for tie-rod design

Description	Weight kg	Order code
Double jointed adapter for cylinder P1D-T cylinder bore Ø32 to Ø125 mm	0,07	P8S-TMA0X



Connecting cables with one connector

The cables have an integral snap-in female connector.



Type of cable	Cable/connector	Weight kg	Order code
Cables for sensors, complete with one female connector			
Cable, Flex PVC	3 m, 8 mm Snap-in connector	0,07	9126344341
Cable, Flex PVC	10 m, 8 mm Snap-in connector	0,21	9126344342
Cable, Polyurethane	3 m, 8 mm Snap-in connector	0,01	9126344345
Cable, Polyurethane	10 m, 8 mm Snap-in connector	0,20	9126344346
Cable, Polyurethane	5 m, M12 screw connector	0,07	9126344348
Cable, Polyurethane	10 m, M12 screw connector	0,20	9126344349

Male connectors for connecting cables

Cable connectors for producing your own connecting cables. The connectors can be quickly attached to the cable without special tools. Only the outer sheath of the cable is removed. The connectors are available for M8 and M12 screw connectors and meet protection class IP 65.



Connector	Weight kg	Order code
M8 screw connector	0,017	P8CS0803J
M12 screw connector	0,022	P8CS1204J

Pneumatic cylinder sensor for P1D-T

An ideal solution where a direct pneumatic signal is wanted from a cylinder sensor to a pneumatic control system, for example. This could be a machine or device in which only compressed air is available, and an electricity supply to normal cylinder sensors would involve serious problems or considerable expense.

Function:

Non-contacting sensing of a pneumatic cylinder, triggering an output signal (conn. 2) from the integrated 3/2 NC valve, which is activated by a magnetic field or iron core and has a return spring.

If more than one sensor is used with a cylinder there must be a distance of at least 20 mm between sensors to prevent them influencing each other.

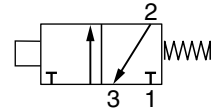
To avoid interference, there must be a minimum spacing of 15 mm to steel details.

The outlet (conn. 3) must not be blocked or restricted as this can impair the function of the sensor.

The sensor is fastened to the cylinder using the special sensor fixing.

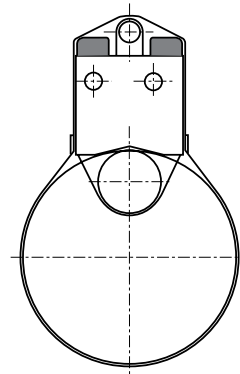
Technical data:

- Working pressure: min 2 to max 6 bar
- Temperature: -15 to +60 °C
- Air quality: 3.4.3 to ISO 8573-1 (must be oil free)
- Function: 3/2 NC valve
- Flow: 40 NI per minute
- Connection: for plastic pipe with 2,5-3 mm internal diameter
- Activation distance: for magnet: min 9 mm
- Activation distance: for Fe: approx. 2 mm
- Repetition accuracy: +/- 0.2 mm
- Cylinder velocity: max 1 m/s (depends on magnetic field, interference from steel in environment, signal length requirement from control system....)
- Distance between sensors: min 20 mm
- Distance from sensor to steel details: min 15 mm
- Fixing: with sensor fixing or with an M4 thread in case
- Sensing: non-contacting (also through a wall of non-magnetic material)

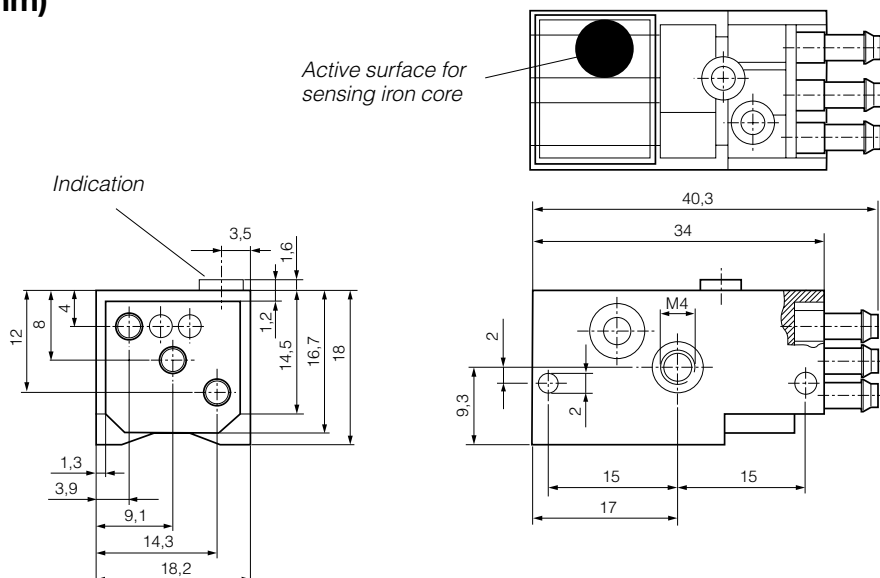


Description	Weight kg	Order code
Pneumatic sensor	0,02	P8S-A34X
Cylinder fixing	0,01	P8S-AMA1

Cylinder fixing



Dimensions (mm)



P1D Seal kits

Complete seal kits consisting of:
 Piston seals
 Cushioning seals
 Piston rod bearing
 Combined piston rod seal and scraper ring
 O-rings



Cyl.bore mm	P1D cylinder version			
	Standard ** P1D-S, P1D-T, P1D-C, P1D-V , P1D-F, P1D-H	High Temp P1D-S, P1D-T, P1D-C, P1D-V, P1D-F, P1D-X	Low Temp P1D-S, P1D-T, P1D-C, P1D-V, P1D-F, P1D-X	Hydraulic P1D-S, P1D-T, P1D-C, P1D-V, P1D-F, P1D-X
32	P1D-6KRN	P1D-6KRFX	P1D-6KRLX	P1D-6KRHX
40	P1D-6LRN	P1D-6LRF	P1D-6LRL	P1D-6LRH
50	P1D-6MRN	P1D-6MRFX	P1D-6MRLX	P1D-6MRHX
63	P1D-6NRN	P1D-6NRF	P1D-6NRL	P1D-6NRH
80	P1D-6PRN	P1D-6PRF	P1D-6PRL	P1D-6PRH
100	P1D-6QRN	P1D-6QRF	P1D-6QRL	P1D-6QRH
125	P1D-6RRN	P1D-6RRF	P1D-6RRL	P1D-6RRH

Cyl.bore mm	P1D cylinder version			
	Standard temperature with FPM scraper ring P1D-S, P1D-T, P1D-C, P1D-V , P1D-F	Standard temperature with HDPE scraper ring P1D-S, P1D-T, P1D-C, P1D-V and P1D-F	Standard temperature with metal scraper ring * P1D-S, P1D-T, P1D-C, P1D-V and P1D-F	Standard temperature with piston rod locking P1D-L, P1D-D, P1D-4
32	P1D-6KRV	P1D-6KRD	P1D-6KRQ	P1D-6KRNL
40	P1D-6LRV	P1D-6LRD	P1D-6LRQ	P1D-6LRNL
50	P1D-6MRV	P1D-6MRD	P1D-6MRQ	P1D-6MRNL
63	P1D-6NRV	P1D-6NRD	P1D-6NRQ	P1D-6NRNL
80	P1D-6PRV	P1D-6PRD	P1D-6PRQ	P1D-6PRNL
100	P1D-6QRV	P1D-6QRD	P1D-6QRQ	P1D-6QRNL
125	P1D-6RRV	P1D-6RRD	P1D-6RRQ	P1D-6RRNL




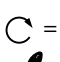

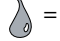
Cyl.bore mm	P1D cylinder version
	Standard ** temperature with through piston rod
32	P1D-6KRNF
40	P1D-6LRNF
50	P1D-6MRNF
63	P1D-6NRNF
80	P1D-6PRNF
100	P1D-6QRNF
125	P1D-6RRNF

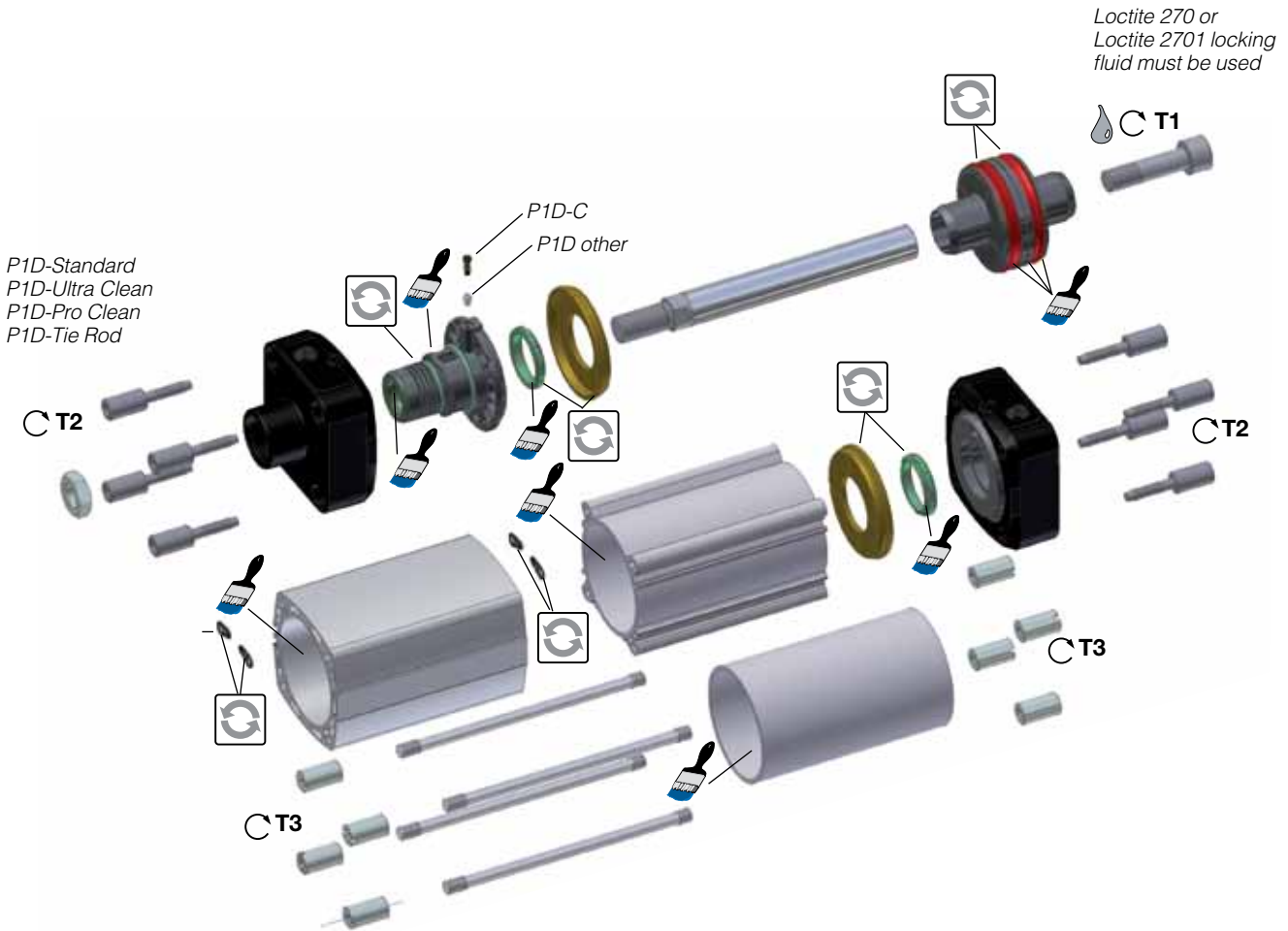
** For P1D-B series add letter B at the end of the part number, ie P1D-6KRNB







* Not for P1D-X series

Greases			
	Standard	30g	9127394541
	High temperature	30g	9127394521
	Low temperature	30g	9127394541

P1D Seal kits

-  = Included in seal kit
-  = Screwdriver head
-  = Insexgrepp
-  = Tightening torque
-  = Lubricated with grease
-  = Locking fluid



Cyl.-dia mm	Plastic piston T1	Alu. piston T1						
	Nm	Nm	NV mm	T2 Nm	NV mm	T3 Nm	NV mm	NV mm
32	4,5	15	6	8	6	6	6	
40	11	30	8	8	6	6	6	
50	20	40	10	20	8	11	8	
63	20	40	10	20	8	11	8	
80	40	120	14	20	6	20		3x16
100	120	120	14	20	6	20		3x16
125	120	120	14	70	8	40		4x18

Order code key, spare parts

1	2	3	4	5	6	7	8	9	10	11	12	13	14	15
P	1	D	-	8	0	3	2	D	G	-	0	1	0	0

8 Spare parts

Cylinder dia. mm
032
040
050
063
080
100
125

Piston rod*
D Standard external thread
G Standard internal thread
H Through rod ext. threads
J Through rod int. threads
F Dynamic locking device ext.
K Dynamic locking device int.
E Static locking device ext.
C Static locking device int.
Cylinder barrel
A Standard profile
B Cylindrical (for tie rod)
N Smooth profile (without T slots)
M Smooth profile (2 open T slots on one side)
Tie rod
T Tie rod (order 4 for a cylinder)

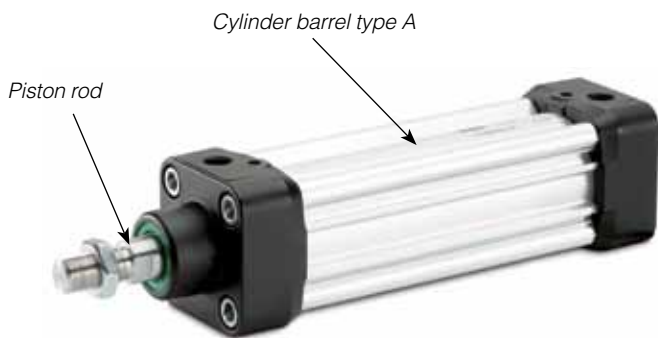
Piston rod
G Stainless steel
H Hard-chromium plated
J Acid-resistant steel
K Chromium plated stainless
Cylinder barrel
A Aluminium
Tie rods
V Stainless steel (order 4 for a cylinder)

* 2 piston rod pieces delivered in one set if through rod option selected

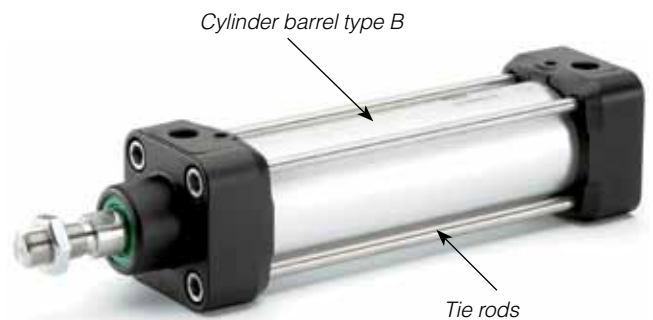
Stroke** (mm) e.g. 0100 = 100 mm
Any stroke up to max. 2800 mm.

** When ordering piston rods for cylinders with an extended piston rod, add together the stroke and the extension in the order key.
 For example, a cylinder with stroke 100 mm and a piston rod extension of 25 mm is ordered with 0125 in the order number.

P1D with standard profile



P1D with tie rods



P1D without T slots

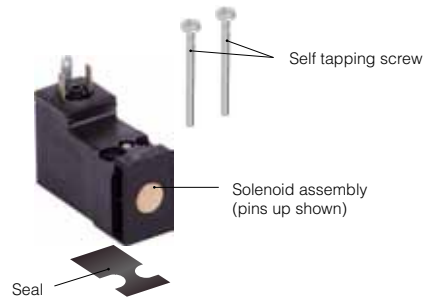


P1D with 2 open T slots



Use for P1D-V series with valve built on

Electrical connection EN175301-803 C/ISO15217 (Ex DIN 43650C)



Solenoids 15 mm NC, standard

	Voltage	Weight Kg	Order code Without manual override	Weight Kg	Order code Override, blue, non locking flush	Weight Kg	Order code Override, yellow, locking flush
	12 VDC	0,038	P2E-KV32B0	0,038	P2E-KV32B1	0,038	P2E-KV32B2
	24 VDC	0,038	P2E-KV32C0	0,038	P2E-KV32C1	0,038	P2E-KV32C2
	48 VDC	0,038	P2E-KV32D0	0,038	P2E-KV32D1	0,038	P2E-KV32D2
	24 VAC 50Hz	0,038	P2E-KV31C0	0,038	P2E-KV31C1	0,038	P2E-KV31C2
	48 VAC 50/60Hz	0,038	P2E-KV34D0	0,038	P2E-KV34D1	0,038	P2E-KV34D2
	115 VAC 50Hz/ 120 VAC 60Hz	0,038	P2E-KV31F0	0,038	P2E-KV31F1	0,038	P2E-KV31F2
	230 VAC 50Hz/ 240 VAC 60Hz	0,038	P2E-KV31J0	0,038	P2E-KV31J1	0,038	P2E-KV31J2
	24 VDC			0,038	P2E-KV32C3	0,038	P2E-KV32C4
	24 VAC 50Hz			0,038	P2E-KV31C3	0,038	P2E-KV31C4

Solenoids 15 mm NC, mobile

(Note! Mounting screws included in basic valve)

	Voltage	Weight Kg	Order code Without manual override	Weight Kg	Order code Override, blue, non locking flush
	12 VDC	0,038	P2E-MV35B0	0,038	P2E-MV35B1
	24 VDC	0,038	P2E-MV35C0	0,038	P2E-MV35C1
	37,5 VDC	0,038	P2E-MV35W0	0,038	P2E-MV35W1
	48 VDC	0,038	P2E-MV35D0	0,038	P2E-MV35D1
	72 VDC	0,038	P2E-MV35T0	0,038	P2E-MV35T1
	78 VDC	0,038	P2E-MV35Y0	0,038	P2E-MV35Y1
	96 VDC	0,038	P2E-MV35V0	0,038	P2E-MV35V1
	110 VDC	0,038	P2E-MV35E0	0,038	P2E-MV35E1

Solenoid Connectors / Cable Plugs EN175301-803

	Description	Order code 15mm Form C/ISO15217
With large headed screw suitable for mounting in inaccessible or recess position	Standard IP65	P8C-C
	24V DC LED and protection IP65	P8C-C26C
With standard screw	110V AC LED and protection IP65	P8C-C21E
	Standard IP65 without flying lead	P8C-D
	With LED and protection 24V AC/DC	P8C-D26C
With cable	With LED and protection 110V AC/DC	P8C-D21E
	Standard with 2m cable IP65	P8L-C2
	Standard with 5m cable IP65	P8L-C5
	24V AC/DC, 2m cable LED and protection IP65	P8L-C226C
	24V AC/DC, 5m cable LED and protection IP65	P8L-C526C
	24V AC/DC, 10m cable LED and protection IP65	P8L-CA26C
	110V AC/DC, 2m cable LED and protection IP65	P8L-C221E
110V AC/DC, 5m cable LED and protection IP65	P8L-C521E	

Air Reservoirs

The Air Reservoir is produced by a cylinder tube and two standard rear end covers. The reservoir is kept together with standard end cover screws and sealed with standard static end cover seals. It's available in two versions, one with foot bracket and one without.

Material specification

Body extrusion: Natural colour, anodised aluminium
 End covers: Black anodised aluminium
 End cover screws: Zinc plated steel 8.8.
 Seals: PUR

Operation data

Working pressure: Max 10 bar,
 Working Temperature: Max 80°C

Important

Pressure Equipment Directive.
 According (PED) to the directive 97/23/EC, for uncertified pressure vessels: Max Working pressure x Volume maximized to 50 Bar x Litre, i.e. max 10 bar and 5 litres volume.
 In accordance we therefore maximized the volume to max 5 litres

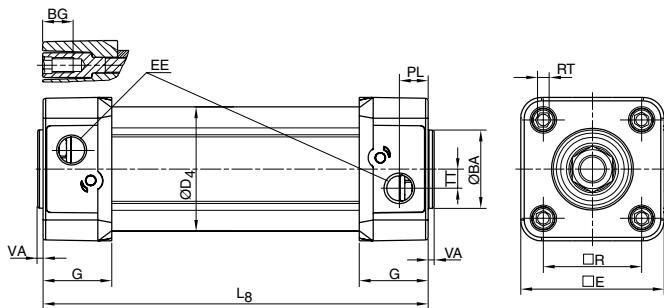
Order codes

Volume cm ³	Without foot bracket.	With foot bracket
75	P1DVS032MA-0050	P1DVS032MB-0050
280	P1DVS050MA-0100	P1DVS050MB-0100
480	P1DVS050MA-0200	P1DVS050MB-0200
1030	P1DVS080MA-0160	P1DVS080MB-0160
1870	P1DVS080MA-0320	P1DVS080MB-0320
3090	P1DVS125MA-0200	P1DVS125MB-0200
4680	P1DVS125MA-0320	P1DVS125MB-0320



Using of Air Reservoirs

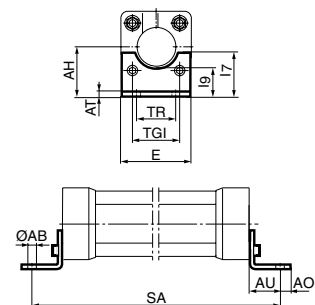
Air reservoirs are used, e.g. together with throttle valves to achieve a timer function in a pneumatic system. The delay of time will be varies by changing the throttle valve and by the size of air reservoir. With a well functional throttle valve and a suitable air reservoir it would be possible to achieve a accuracy of ± 5%.. The reservoir is also used to equal pressure various into the system and to handling short extreme air consumptions without functional disorders. The air reservoirs could also be used together with check valve in order to retain a pressure which is essential, for example safety reasons.



Dimensions (mm)

Order codes	BA	BG	D4	E	EE	G	L8	PL	R	RT	TT	VA
	mm	mm	mm	mm	mm	mm	mm	mm	mm		mm	mm
P1DVS032MA-0050	30	16	45,0	50,0	G1/8	28,5	144	13,0	32,5	M6	4,5	3,5
P1DVS050MA-0100	40	16	60,7	69,4	G1/4	33,5	206	14,0	46,5	M8	7,5	3,5
P1DVS050MA-0200	40	16	60,7	69,4	G1/4	33,5	306	14,0	46,5	M8	7,5	3,5
P1DVS080MA-0160	45	17	86,7	99,4	G3/8	39,5	288	16,0	72,0	M10	15,0	3,5
P1DVS080MA-0320	45	17	86,7	99,4	G3/8	39,5	458	16,0	72,0	M10	15,0	3,5
P1DVS125MA-0200	60	20	134,0	139,0	G1/2	51,0	360	28,0	110,0	M12	17,5	5,5
P1DVS125MA-0320	60	20	134,0	139,0	G1/2	51,0	480	28,0	110,0	M12	17,5	5,5

Order codes	AB	TG1	E	TR	AO	AU	AH	I7	AT	I9	SA
	mm	mm	mm	mm	mm	mm	mm	mm	mm	mm	mm
P1DVS032MB-0050	7	32,5	45	32	10	24	32	30	4,5	17,0	192
P1DVS050MB-0100	9	46,5	65	45	13	32	45	36	5,5	25,0	270
P1DVS050MB-0200	9	46,5	65	45	13	32	45	36	5,5	25,0	370
P1DVS080MB-0160	12	72,0	95	63	14	41	63	49	6,5	40,5	370
P1DVS080MB-0320	12	72,0	95	63	14	41	63	49	6,5	40,5	530
P1DVS125MB-0200	16	110,0	140	90	22	45	90	71	8,0	60,0	450
P1DVS125MB-0320	16	110,0	140	90	22	45	90	71	8,0	60,0	570



Specifying air quality (purity) in accordance with ISO8573-1:2010, the international standard for Compressed Air Quality

ISO8573-1 is the primary document used from the ISO8573 series as it is this document which specifies the amount of contamination allowed in each cubic metre of compressed air.

ISO8573-1 lists the main contaminants as Solid Particulate, Water and Oil. The purity levels for each contaminant are shown separately in tabular form, however for ease of use, this document combines all three contaminants into one easy to use table.

ISO8573-1:2010 CLASS	Solid Particulate			Mass Concentration mg/m ³	Water		Oil
	Maximum number of particles per m ³				Vapour Pressure Dewpoint	Liquid g/m ³	Total Oil (aerosol liquid and vapour) mg/m ³
	0,1 - 0,5 micron	0,5 - 1 micron	1 - 5 micron				
0	As specified by the equipment user or supplier and more stringent than Class 1						
1	≤ 20 000	≤ 400	≤ 10	-	≤ -70 °C	-	0,01
2	≤ 400 000	≤ 6 000	≤ 100	-	≤ -40 °C	-	0,1
3	-	≤ 90 000	≤ 1 000	-	≤ -20 °C	-	1
4	-	-	≤ 10 000	-	≤ +3 °C	-	5
5	-	-	≤ 100 000	-	≤ +7 °C	-	-
6	-	-	-	≤ 5	≤ +10 °C	-	-
7	-	-	-	5 - 10	-	≤ 0,5	-
8	-	-	-	-	-	0,5 - 5	-
9	-	-	-	-	-	5 - 10	-
X	-	-	-	> 10	-	> 10	> 10

Specifying air purity in accordance with ISO8573-1:2010

When specifying the purity of air required, the standard must always be referenced, followed by the purity class selected for each contaminant (a different purity class can be selected for each contamination if required).

An example of how to write an air quality specification is shown below:

ISO 8573-1:2010 Class 1.2.1

ISO 8573-1:2010 refers to the standard document and its revision, the three digits refer to the purity classifications selected for solid particulate, water and total oil. Selecting an air purity class of 1.2.1 would specify the following air quality when operating at the standard's reference conditions :

Class 1 - Particulate

In each cubic metre of compressed air, the particulate count should not exceed 20,000 particles in the 0.1 - 0.5 micron size range, 400 particles in the 0.5 - 1 micron size range and 10 particles in the 1 - 5 micron size range.

Class 2 - Water

A pressure dewpoint (PDP) of -40°C or better is required and no liquid water is allowed.

Class 1 - Oil

In each cubic metre of compressed air, not more than 0.01mg of oil is allowed. This is a total level for liquid oil, oil aerosol and oil vapour.

ISO8573-1:2010 Class zero

- **Class 0 does not mean zero contamination.**
- **Class 0 requires the user and the equipment manufacturer to agree contamination levels as part of a written specification.**
- **The agreed contamination levels for a Class 0 specification should be within the measurement capabilities of the test equipment and test methods shown in ISO8573 Pt 2 to Pt 9.**
- **The agreed Class 0 specification must be written on all documentation to be in accordance with the standard.**
- **Stating Class 0 without the agreed specification is meaningless and not in accordance with the standard.**
- **A number of compressor manufacturers claim that the delivered air from their oil-free compressors is in compliance with Class 0.**
- **If the compressor was tested in clean room conditions, the contamination detected at the outlet will be minimal. Should the same compressor now be installed in typical urban environment, the level of contamination will be dependent upon what is drawn into the compressor intake, rendering the Class 0 claim invalid.**
- **A compressor delivering air to Class 0 will still require purification equipment in both the compressor room and at the point of use for the Class 0 purity to be maintained at the application.**
- **Air for critical applications such as breathing, medical, food, etc typically only requires air quality to Class 2.2.1 or Class 2.1.1.**
- **Purification of air to meet a Class 0 specification is only cost effective if carried out at the point of use.**

Parker Worldwide

Europe, Middle East, Africa

AE – United Arab Emirates,
Dubai

Tel: +971 4 8127100
parker.me@parker.com

AT – Austria, Wiener Neustadt

Tel: +43 (0)2622 23501-0
parker.austria@parker.com

AT – Eastern Europe, Wiener
Neustadt

Tel: +43 (0)2622 23501 900
parker.easteurope@parker.com

AZ – Azerbaijan, Baku

Tel: +994 50 2233 458
parker.azerbaijan@parker.com

BE/LU – Belgium, Nivelles

Tel: +32 (0)67 280 900
parker.belgium@parker.com

BY – Belarus, Minsk

Tel: +375 17 209 9399
parker.belarus@parker.com

CH – Switzerland, Etoy

Tel: +41 (0)21 821 87 00
parker.switzerland@parker.com

CZ – Czech Republic, Klecany

Tel: +420 284 083 111
parker.czechrepublic@parker.com

DE – Germany, Kaarst

Tel: +49 (0)2131 4016 0
parker.germany@parker.com

DK – Denmark, Ballerup

Tel: +45 43 56 04 00
parker.denmark@parker.com

ES – Spain, Madrid

Tel: +34 902 330 001
parker.spain@parker.com

FI – Finland, Vantaa

Tel: +358 (0)20 753 2500
parker.finland@parker.com

FR – France, Contamine s/Arve

Tel: +33 (0)4 50 25 80 25
parker.france@parker.com

GR – Greece, Athens

Tel: +30 210 933 6450
parker.greece@parker.com

HU – Hungary, Budapest

Tel: +36 23 885 475
parker.hungary@parker.com

IE – Ireland, Dublin

Tel: +353 (0)1 466 6370
parker.ireland@parker.com

IT – Italy, Corsico (MI)

Tel: +39 02 45 19 21
parker.italy@parker.com

KZ – Kazakhstan, Almaty

Tel: +7 7272 505 800
parker.easteurope@parker.com

NL – The Netherlands, Oldenzaal

Tel: +31 (0)541 585 000
parker.nl@parker.com

NO – Norway, Asker

Tel: +47 66 75 34 00
parker.norway@parker.com

PL – Poland, Warsaw

Tel: +48 (0)22 573 24 00
parker.poland@parker.com

PT – Portugal, Leca da Palmeira

Tel: +351 22 999 7360
parker.portugal@parker.com

RO – Romania, Bucharest

Tel: +40 21 252 1382
parker.romania@parker.com

RU – Russia, Moscow

Tel: +7 495 645-2156
parker.russia@parker.com

SE – Sweden, Spånga

Tel: +46 (0)8 59 79 50 00
parker.sweden@parker.com

SK – Slovakia, Banská Bystrica

Tel: +421 484 162 252
parker.slovakia@parker.com

SL – Slovenia, Novo Mesto

Tel: +386 7 337 6650
parker.slovenia@parker.com

TR – Turkey, Istanbul

Tel: +90 216 4997081
parker.turkey@parker.com

UA – Ukraine, Kiev

Tel +380 44 494 2731
parker.ukraine@parker.com

UK – United Kingdom, Warwick

Tel: +44 (0)1926 317 878
parker.uk@parker.com

ZA – South Africa, Kempton Park

Tel: +27 (0)11 961 0700
parker.southafrica@parker.com

North America

CA – Canada, Milton, Ontario

Tel: +1 905 693 3000

US – USA, Cleveland

Tel: +1 216 896 3000

Asia Pacific

AU – Australia, Castle Hill

Tel: +61 (0)2-9634 7777

CN – China, Shanghai

Tel: +86 21 2899 5000

HK – Hong Kong

Tel: +852 2428 8008

IN – India, Mumbai

Tel: +91 22 6513 7081-85

JP – Japan, Tokyo

Tel: +81 (0)3 6408 3901

KR – South Korea, Seoul

Tel: +82 2 559 0400

MY – Malaysia, Shah Alam

Tel: +60 3 7849 0800

NZ – New Zealand, Mt Wellington

Tel: +64 9 574 1744

SG – Singapore

Tel: +65 6887 6300

TH – Thailand, Bangkok

Tel: +662 186 7000-99

TW – Taiwan, Taipei

Tel: +886 2 2298 8987

South America

AR – Argentina, Buenos Aires

Tel: +54 3327 44 4129

BR – Brazil, Sao Jose dos Campos

Tel: +55 800 727 5374

CL – Chile, Santiago

Tel: +56 2 623 1216

MX – Mexico, Apodaca

Tel: +52 81 8156 6000

European Product Information Centre

Free phone: 00 800 27 27 5374

(from AT, BE, CH, CZ, DE, DK, EE, ES, FI,
FR, IE, IL, IS, IT, LU, MT, NL, NO, PL, PT, RU,
SE, SK, UK, ZA)

Parker Hannifin Ltd.

Tachbrook Park Drive

Tachbrook Park,

Warwick, CV34 6TU

United Kingdom

Tel.: +44 (0) 1926 317 878

Fax: +44 (0) 1926 317 855

parker.uk@parker.com

www.parker.com

